

## SPECIFICATIONS

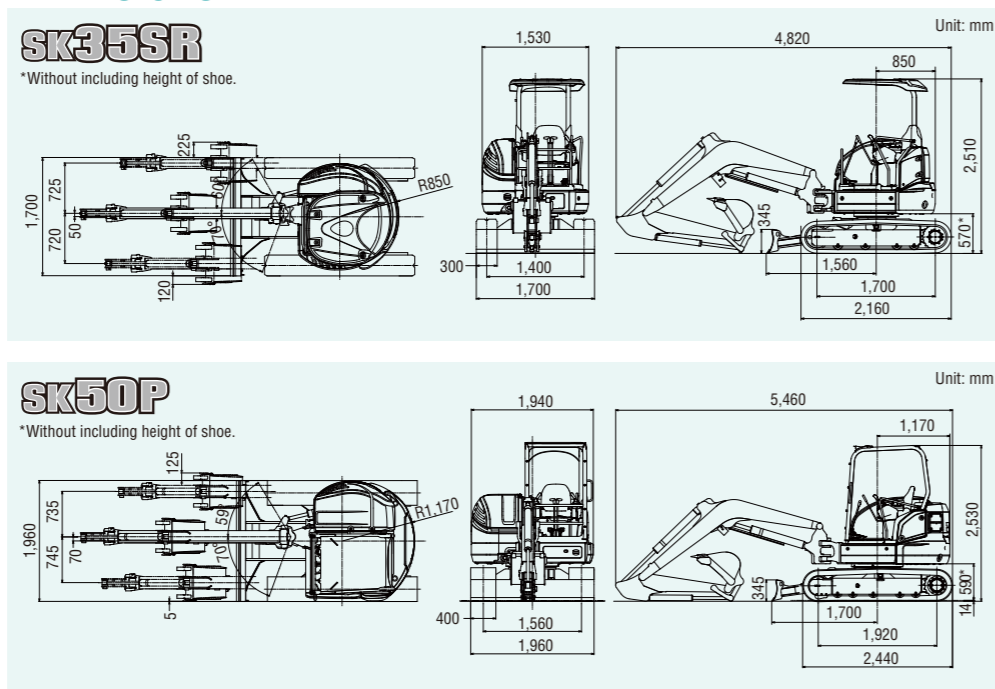
MODEL	SK35SR	SK50P
Type	SK35SR-6	SK50P-6
Machine Mass (canopy/cab)	kg 3,610/3,770	4,720/4,840
Bucket Capacity	m <sup>3</sup> 0.11	0.14
Bucket Width	mm 600	600
Arm Length	m 1.37	1.4
Bucket Digging Force	kN (kgf) 27.8 (2,830)	35.2 (3,589)
Arm Crowding Force	kN (kgf) 22.5 (2,290)	28.0 (2,855)
<b>ENGINE</b>		
Model	YANMAR 3TNV82A-B	YANMAR 4TNV88-B
Type	Water cooled, 4-cycle, 3-cylinder, direct injection, diesel engine	Water cooled, 4-cycle, 4-cylinder, direct injection, diesel engine
Power Output	kW/min <sup>-1</sup> (ISO 14396) 18.1/2,400	29.6/2,400
Max. Torque	N·m/min <sup>-1</sup> (ISO 14396) 79.4/1,440	132.9/1,440
Displacement	L 1.331	2.189
Fuel Tank	L 42.0	75
<b>HYDRAULIC SYSTEM</b>		
Pump	Two variable displacement pumps + one gear pump	
Max. Discharge Flow	L/min 2 x 38.4, 1 x 19.2	2 x 49.9, 1 x 33.8
Relief Valve Setting	MPa 23.0	23.0
Hydraulic Oil Tank (system)	L 20.4 (44.8)	27.9 (57.7)

<b>TRAVEL SYSTEM</b>		
Travel Motors	2 x axial-piston, two-step motors	
Parking Brake	Oil disc brake per motor	
Travel Speed (high/low)	km/h 4.4/2.5	3.7/2.1
Drawbar Pulling Force	kN 38.2	55.1
<b>CRAWLER</b>		
Shoe	Rubber	Steel
Shoe Width	mm 300	400
Ground Pressure (canopy/cab)	kPa 32.0/33.5	27.4/28.1
<b>DOZER BLADE</b>		
Width x Height	mm 1,700 x 345	1,960 x 345
Working Ranges (height/depth)	mm 395/320	375/385
<b>SWING SYSTEM</b>		
Swing Motor	Axial piston motor	
Parking Brake	Oil disc brake	
Swing Speed	min <sup>-1</sup> 8.4	8.8
Tail Swing Radius	mm 850	1,170
Min. Front Swing Radius	mm 2,320	2,220
At full boom swing	mm 1,930	1,850
<b>SIDE DIGGING MECHANISM</b>		
Type	Boom swing	
Offset Angle (to the left/to the right)	degree 70/60	70/59

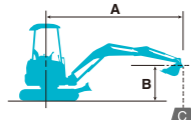
## WORKING RANGES

Model	SK35SR	SK50P
Boom length	2.47 m	2.985 m
Arm length	1.37 m	1.40 m
a- Max. digging reach	5,350	5,980
b- Max. digging reach at ground level	5,200	5,830
c- Max. digging depth	3,050	3,620
d- Max. digging height	4,870	5,760
e- Max. dumping clearance	3,490	4,180
f- Min. dumping clearance	1,310	1,860
g- Max. vertical wall digging depth	2,470	2,870
h- Min. swing radius	2,320	2,220
i- Dozer blade (height/depth)	395/320	375/385

## DIMENSIONS



## LIFTING CAPACITIES



Rating over front

Rating over side or 360 degrees

A: Reach from swing centerline to bucket hook  
B: Bucket hook height above/below ground  
C: Lifting capacities in kilograms  
Relief valve setting: 23.0 MPa

### Canopy

SK35SR	Arm: 1.37 m, Bucket: 0.11 m <sup>3</sup> ISO Heaped Shoe: 300 mm Rubber shoe					At Max. Reach	Radius	
	A	1.0 m	2.0 m	3.0 m	4.0 m			
4.0 m	kg					670	630	3.45 m
3.0 m	kg					460	430	4.25 m
2.0 m	kg			820	760	500	470	4.63 m
1.0 m	kg			750	690	470	440	4.72 m
G. L.	kg		1,390	1,250	710	650	450	4.55 m
-1.0 m	kg	2,450	2,450	1,410	1,270	700	650	4.06 m
-2.0 m	kg		1,470	1,330	730	680	710	3.07 m

### Canopy

SK50P	Arm: 1.4 m, Bucket: 0.14 m <sup>3</sup> ISO Heaped Shoe: 400 mm Steel shoe					At Max. Reach	Radius	
	A	2.0 m	3.0 m	4.0 m	5.0 m			
4.0 m	kg			800	690	740	650	4.14 m
3.0 m	kg			1,150	1,140	790	690	4.79 m
2.0 m	kg			1,220	1,040	760	650	5.11 m
1.0 m	kg			1,110	940	710	610	5.18 m
G. L.	kg			1,080	910	690	590	5.00 m
-1.0 m	kg	2,310	1,860	1,090	920	690	590	4.56 m
-2.0 m	kg	2,380	1,920	1,130	950	810	690	3.71 m

### Notes:

- Do not attempt to lift or hold any load that is greater than these lift capacities at their specified lift point radius and heights. Weight of all accessories must be deducted from the above lift capacities.
- Lift capacities are based on machine standing on level, firm, and uniform ground. User must make allowance for job conditions such as soft or uneven ground, out of level conditions, side loads, sudden stopping of loads, hazardous conditions, experience of personnel, etc.
- Bucket lift hook defined as lift point.

- The above lifting capacities are in compliance with ISO 10567. They do not exceed 87% of hydraulic lifting capacity or 75% of tipping load. Lifting capacities marked with an asterisk (\*) are limited by hydraulic capacity rather than tipping load.
- Operator should be fully acquainted with the Operator's and Maintenance Instructions before operating this machine. Rules for safe operation of equipment should be adhered to at all times.
- Lift capacities apply to only machine as originally manufactured and normally equipped by KOBELCO CONSTRUCTION MACHINERY CO., LTD.

Note: This catalog may contain attachments and optional equipment that are not available in your area. And it may contain photographs of machines with specifications that differ from those of machines sold in your areas. Please consult your nearest KOBELCO distributor for those items you require. Due to our policy of continuous product improvements all designs and specifications are subject to change without advance notice.

Copyright by KOBELCO CONSTRUCTION MACHINERY CO., LTD. No part of this catalog may be reproduced in any manner without notice.

## KOBELCO CONSTRUCTION MACHINERY CO., LTD.

17-1, Higashigotanda 2-chome, Shinagawa-ku, Tokyo 141-8626 JAPAN  
Tel: +81 (0) 3-5789-2146 Fax: +81 (0) 3-5789-2135  
www.kobelco-kenki.co.jp/english\_index.html

Inquiries To:

# KOBELCO

SK35SR-6/SK50P-6

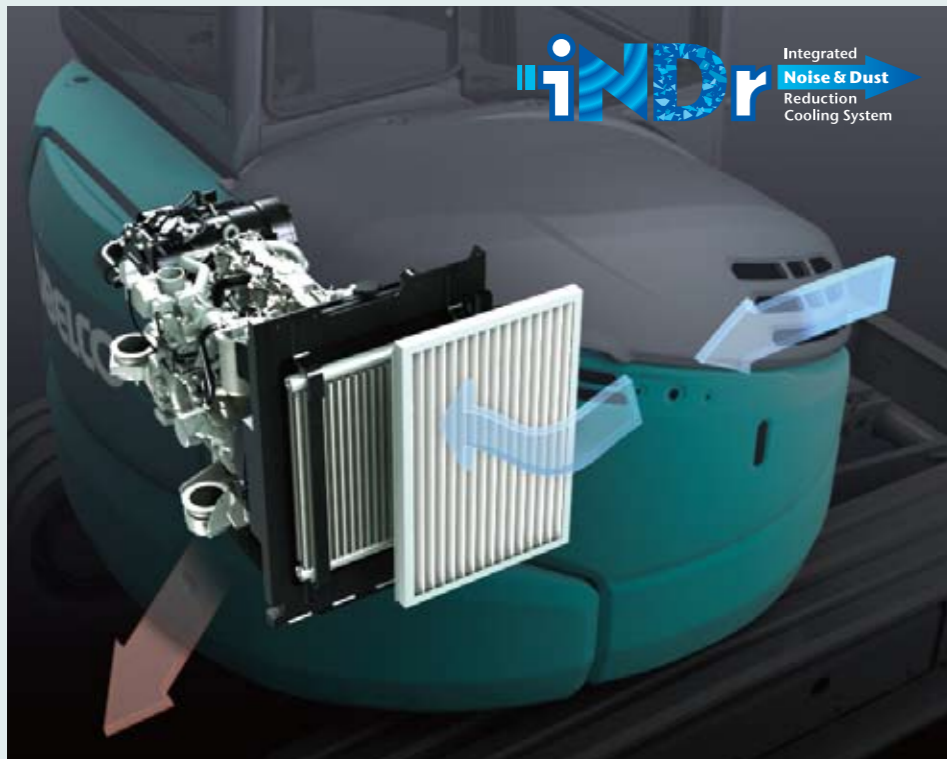
# MINI EXCAVATOR SK35SR SK50P

## COMPACT YET TOUGH MINI

Now KOBELCO has taken the next evolutionary step by packing even more digging power and practical performance features into the SK35SR/SK50P while maintaining a short tail swing. The new Energy Conservation Mode saves even more fuel, and KOBELCO's proprietary iNDr Cooling System ensures protection from dust and easy maintenance.



**We Save You Fuel**  
Achieving a Low-Carbon Society



**iNDR** Integrated Noise & Dust Reduction Cooling System

### Protection from Dust and Easy Maintenance

The iNDR filter fitted in front of the cooling system ensures easy cleaning. The iNDR system on the SK35SR/SK50P features air intake at the front of the machine and air exhaust underneath. It functions in the same way as the iNDR System on the SR series machines.

### Visual Checking and Easy Cleaning

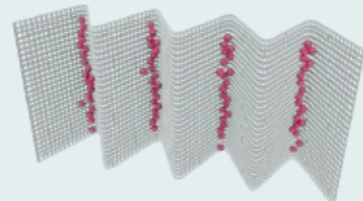
Because the iNDR filter removes dust from the intake air, cooling components stay dirt-free and do not require regular cleaning. The iNDR filter itself can be easily removed and cleaned



without the use of tools.

### iNDR Filter

The stainless-steel filter is extremely effective against dust, with 30-mesh wave-type screen that removes tiny dust particles from the intake air.



\*30-mesh means that there are 30 holes formed by horizontal and vertical wires in every square inch of filter.

### Fuel Saving

#### Energy Conservation Mode

The SK35SR/SK50P adapts S mode which enables 25 % (23 %: SK50P) less fuel consumption compared with H mode.



SK35SR: **25%** less fuel consumption

SK50P: **23%** less fuel consumption

### Comfortable Work Environment

#### Spacious Work Environment

Broader floor space and a greater sliding range for the seat give operators plenty of foot room. Wide operational space is provided with more room between the left and right control consoles.



#### Color Liquid Crystal Monitor (Optional)

The color crystal monitor is fitted as option. Operation data as well as the full range of machine-status data can readily be checked.



### Operator Safety

#### Reliable Cab/Canopy Structure



TOPS and TOP GUARD LEVEL 1 (SK35SR)



ROPS and TOP GUARD LEVEL 1 (SK50P)

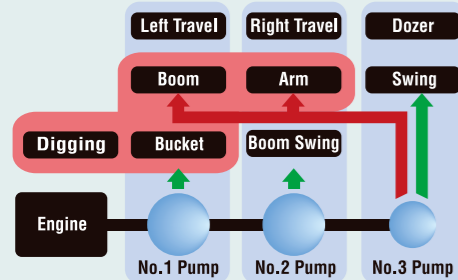


ROPS and TOP GUARD LEVEL 1 (SK50P)

### Efficient Performance

#### Integrated-Flow Pump System

KOBELCO's IFPS utilizes three pumps to optimize performance, with the dozer pump providing additional digging power as needed.



#### Automatic Two-Speed Travel

Two-speed travel function automatically shifts into Low Mode when a load is applied.

#### Travel Switch

The travel lever is fitted with the travel switch for easy switching to H-Mode travel.



#### Dozer-Blade Shape

KOBELCO's unique blade design solves this problem by forming the earth into an arc that always falls forward.



#### Wide Working Range

A larger boom and arm are provided as standard equipment to ensure a wider working range.

#### Short Tail Swing

The compact tail swing improves operating efficiency in limited space.

Tail Overhang:  
**0 mm** :SK35SR  
**190 mm** :SK50P



Max. Digging Reach:  
**5,350 mm** :SK35SR  
**5,980 mm** :SK50P

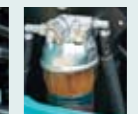
### Easy Daily Maintenance



Easy Access to Engine Compartment



High-grade fuel filter



Pre fuel filter with built-in water separator



Air cleaner



Easy Access to Cooling Unit



Hour meter



Two-piece floor mats for easy washing

### Reliable Construction



**Bucket**  
Cast-iron idler link provide greater strength.



**Dozer**  
Box construction dozer supports provide greater strength.



**Swing bracket**  
Large, thick cast-iron swing bracket/front bracket.



**Hydraulic piping**  
The hydraulic piping is housed inside the swing bracket.