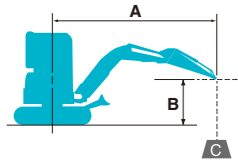


LIFTING CAPACITIES



Rating over front



A: Reach from swing centerline to arm top
 B: Bucket hook height above/below ground
 C: Lifting capacities in kilograms
 Shoe: Rubber shoe Dozer blade: Up
 Relief valve setting: 23.0 MPa

SK55SRX Cab		Arm: 1.69 m, Bucket: Without Rubber shoe: 400 mm												
		1.0 m		2.0 m		3.0 m		4.0 m		5.0 m		At Max. Reach		Radius
B		Rating over front	Rating over side or 360 degrees	Rating over front	Rating over side or 360 degrees	Rating over front	Rating over side or 360 degrees	Rating over front	Rating over side or 360 degrees	Rating over front	Rating over side or 360 degrees	Rating over front	Rating over side or 360 degrees	
5.0 m	kg											*1,040	*1,040	3.38 m
4.0 m	kg							*930	*930			970	820	4.47 m
3.0 m	kg							*1,000	970	800	680	780	660	5.07 m
2.0 m	kg					*1,620	1,430	1,110	930	790	660	710	590	5.37 m
1.0 m	kg					1,630	1,320	1,070	880	770	640	680	570	5.43 m
G. L.	kg			*1,250	*1,250	1,580	1,270	1,030	850	760	630	700	590	5.27 m
-1.0 m	kg	*2,080	*2,080	*2,580	2,480	1,580	1,270	1,020	840			790	650	4.85 m
-2.0 m	kg	*3,210	*3,210	*3,360	2,530	1,600	1,290	1,050	860			1,020	840	4.09 m
-3.0 m	kg			*1,590	*1,590							*1,190	*1,190	2.52 m

SK55SRX Cab		Arm: 1.69 m, Bucket: Without Rubber shoe: 400 mm Add-on Counterweight (250 kg)												
		1.0 m		2.0 m		3.0 m		4.0 m		5.0 m		At Max. Reach		Radius
B		Rating over front	Rating over side or 360 degrees	Rating over front	Rating over side or 360 degrees	Rating over front	Rating over side or 360 degrees	Rating over front	Rating over side or 360 degrees	Rating over front	Rating over side or 360 degrees	Rating over front	Rating over side or 360 degrees	
5.0 m	kg											*1,040	*1,040	3.38 m
4.0 m	kg							*930	*930			*1,000	920	4.47 m
3.0 m	kg							*1,000	*1,000	910	770	890	750	5.07 m
2.0 m	kg					*1,620	1,600	*1,220	1,050	890	760	800	680	5.37 m
1.0 m	kg					1,840	1,500	1,200	1,000	870	740	770	650	5.43 m
G. L.	kg			*1,250	*1,250	1,790	1,450	1,170	970	860	720	800	670	5.27 m
-1.0 m	kg	*2,080	*2,080	*2,580	*2,580	1,790	1,450	1,160	970			890	750	4.85 m
-2.0 m	kg	*3,210	*3,210	*3,360	2,860	1,810	1,470	1,180	990			1,150	960	4.09 m
-3.0 m	kg			*1,590	*1,590							*1,190	*1,190	2.52 m

SK55SRX Canopy		Arm: 1.69 m, Bucket: Without Rubber shoe: 400 mm												
		1.0 m		2.0 m		3.0 m		4.0 m		5.0 m		At Max. Reach		Radius
B		Rating over front	Rating over side or 360 degrees	Rating over front	Rating over side or 360 degrees	Rating over front	Rating over side or 360 degrees	Rating over front	Rating over side or 360 degrees	Rating over front	Rating over side or 360 degrees	Rating over front	Rating over side or 360 degrees	
5.0 m	kg											*1,040	*1,040	3.38 m
4.0 m	kg							*930	*930			940	790	4.47 m
3.0 m	kg							*1,000	950	780	660	760	640	5.07 m
2.0 m	kg					*1,620	1,390	1,080	900	770	640	680	570	5.37 m
1.0 m	kg					1,590	1,280	1,030	860	750	620	660	550	5.43 m
G. L.	kg			*1,250	*1,250	1,530	1,240	1,000	830	730	610	680	570	5.27 m
-1.0 m	kg	*2,080	*2,080	*2,580	2,410	1,530	1,230	990	820			760	630	4.85 m
-2.0 m	kg	*3,210	*3,210	*3,290	2,460	1,560	1,260	1,010	840			980	820	4.09 m
-3.0 m	kg			*1,590	*1,590							*1,190	*1,190	2.52 m

SK55SRX Canopy		Arm: 1.69 m, Bucket: Without Rubber shoe: 400 mm Add-on Counterweight (250 kg)												
		1.0 m		2.0 m		3.0 m		4.0 m		5.0 m		At Max. Reach		Radius
B		Rating over front	Rating over side or 360 degrees	Rating over front	Rating over side or 360 degrees	Rating over front	Rating over side or 360 degrees	Rating over front	Rating over side or 360 degrees	Rating over front	Rating over side or 360 degrees	Rating over front	Rating over side or 360 degrees	
5.0 m	kg											*1,040	*1,040	3.38 m
4.0 m	kg							*930	*930			*1,000	900	4.47 m
3.0 m	kg							*1,000	*1,000	880	750	860	730	5.07 m
2.0 m	kg					*1,620	1,570	*1,220	1,020	870	740	780	660	5.37 m
1.0 m	kg					1,790	1,460	1,170	980	850	720	750	640	5.43 m
G. L.	kg			*1,250	*1,250	1,740	1,410	1,140	950	830	700	780	650	5.27 m
-1.0 m	kg	*2,080	*2,080	*2,580	*2,580	1,740	1,410	1,130	940			870	730	4.85 m
-2.0 m	kg	*3,210	*3,210	*3,360	2,790	1,770	1,430	1,150	960			1,120	930	4.09 m
-3.0 m	kg			*1,590	*1,590							*1,190	*1,190	2.52 m

- Notes:**
- Do not attempt to lift or hold any load that is greater than these lift capacities at their specified lift point radius and heights. Weight of all accessories must be deducted from the above lift capacities.
 - Lift capacities are based on machine standing on level, firm, and uniform ground. User must make allowance for job conditions such as soft or uneven ground, out of level conditions, side loads, sudden stopping of loads, hazardous conditions, experience of personnel, etc.
 - Arm top defined as lift point.
 - The above lifting capacities are in compliance with ISO 10567. They do not exceed 87% of hydraulic lifting capacity or 75% of tipping load. Lifting capacities marked with an asterisk (*) are limited by hydraulic capacity rather than tipping load.
 - Operator should be fully acquainted with the Operator's and Maintenance Instructions before operating this machine. Rules for safe operation of equipment should be adhered to at all times.
 - Lift capacities apply to only machine as originally manufactured and normally equipped by KOBELCO CONSTRUCTION MACHINERY CO., LTD.

Note: This catalog may contain attachments and optional equipment that are not available in your area. And it may contain photographs of machines with specifications that differ from those of machines sold in your areas. Please consult your nearest KOBELCO distributor for those items you require. Due to our policy of continuous product improvements all designs and specifications are subject to change without advance notice. Copyright by KOBELCO CONSTRUCTION MACHINERY CO., LTD. No part of this catalog may be reproduced in any manner without notice.

KOBELCO CONSTRUCTION MACHINERY CO., LTD.

17-1, Higashigotanda 2-chome, Shinagawa-ku, Tokyo 141-8626 JAPAN
 Tel: +81 (0) 3-5789-2146 Fax: +81 (0) 3-5789-2135
www.kobelco-kenki.co.jp/english_index.html

Inquiries To:

KOBELCO

SK55SRX-6

MINI EXCAVATOR SK55SRX



We Save You Fuel
 Achieving a Low-Carbon Society

Full-Size Performance, Short-Radius Agility and Quiet Operation

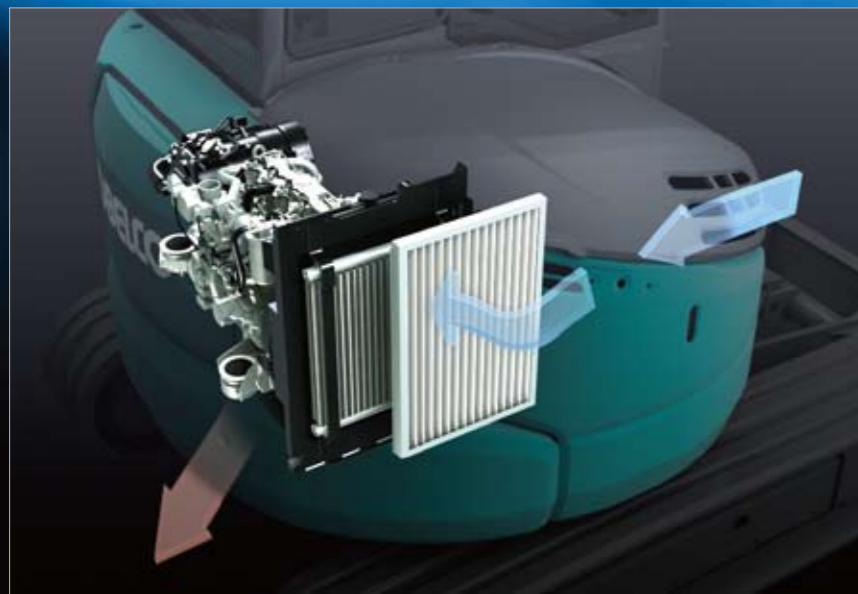
COMPACT YET TOUGH MINI

Now KOBELCO has taken the next evolutionary step by packing even more digging power and practical performance features into the SK55SRX while maintaining a short tail swing.

The new Energy Conservation Mode saves even more fuel, and Kobelco's proprietary iNDr Cooling System ensures quiet operation, protection from dust, and easy maintenance.

For greater operator comfort and safety, the rectangular cab design offers plenty of room and an unobstructed view.

It all adds up to enhanced full-size performance, short-radius agility and a low-noise environment, with exceptional performance features and a full range of value-added functions.

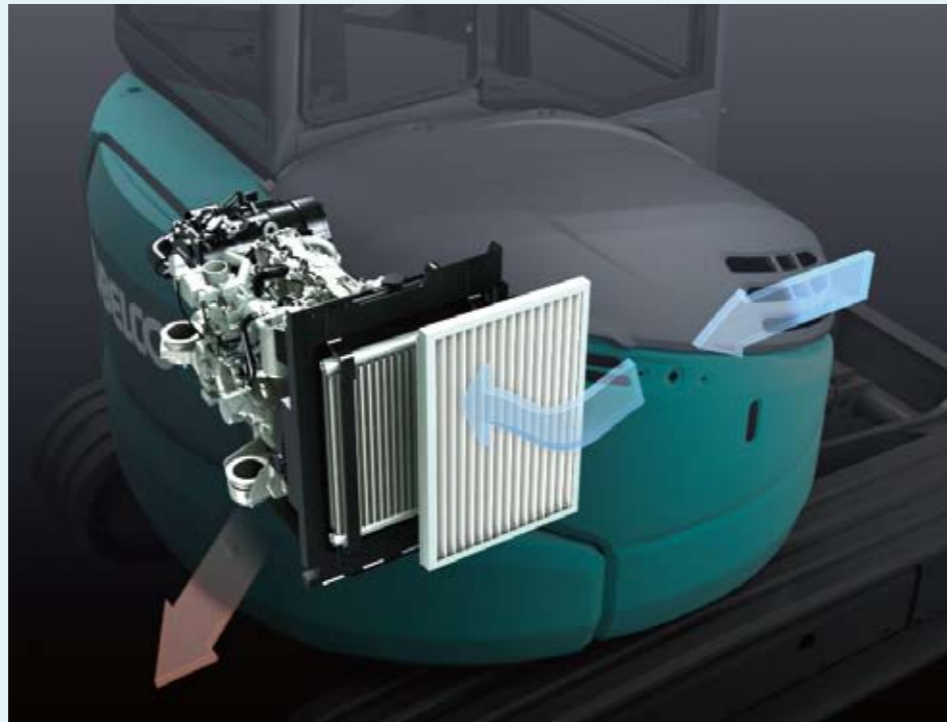


iNDr Cooling System

The Revolutionary Integrated Noise and Dust Reduction Cooling System



The highly airtight engine compartment and the offset duct contribute to noise reduction. The iNDr filter fitted in front of the cooling system ensures easy cleaning. The iNDr system on the SK55SRX features air intake at the front of the machine and air exhaust underneath. It function in the same way as the iNDr System on the SR series machines.



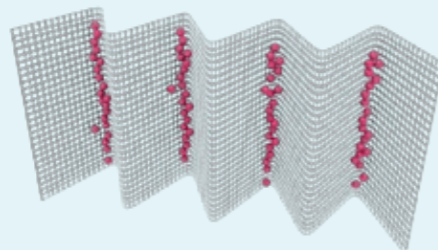
Visual Checking and Easy Cleaning

Because the iNDr filter removes dust from the intake air, cooling components stay dirt-free and do not require regular cleaning. The iNDr filter itself can be easily removed and cleaned without the use of tools.



iNDr Filter

The stainless-steel filter is extremely effective against dust, with 30-mesh wave-type screen that removes tiny dust particles from the intake air.



•30-mesh means that there are 30 holes formed by horizontal and vertical wires in every square inch of filter.

iNDr Filter Blocks Out Dust

Outside air goes directly from the intake duct through the iNDr filter for dust removal.



Ultimate Low Noise

KOBELCO's exclusive iNDr Cooling System delivers amazingly quiet operation. In fact, the SK55SRX is 9 dB quieter than the previous models.

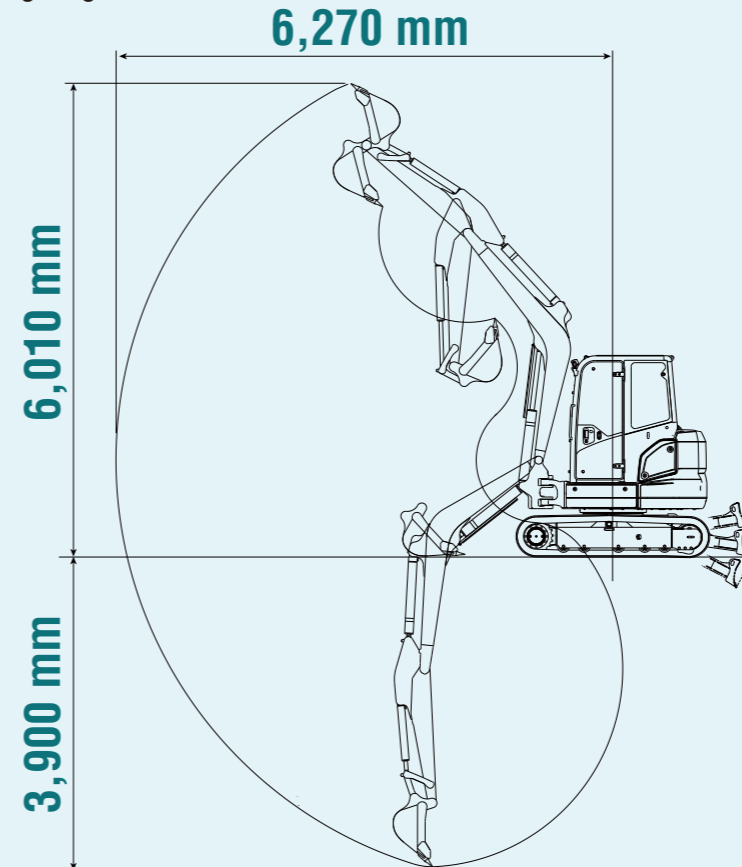


at 1 m backward from machine rearend and 1.5 m height from ground level.

Compact, yet, Big Performance

Wide Working Range

A larger boom and arm are provided as standard equipment to ensure a wider working range.



Short Tail Swing

The compact tail swing improves operating efficiency in limited space.



Tail overhang: 190 mm (290 mm)*

*Figures show the value with add-on counterweight.

Energy Conservation Mode

The SK55SRX adapts S mode which enables 23 % less fuel consumption compared with the previous model.



One Touch Deceleration

The SK55SRX features one-touch deceleration. It allows easy switching to an idling state, reducing the fuel consumption while the machine is at rest.



Overall height: 2,530 mm

Easy Transportability

With an overall height of 2,530 mm, the machine is designed for easy transport.

PERFORMANCE

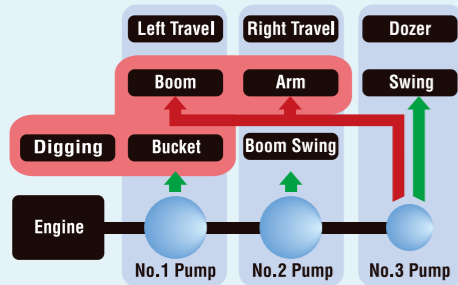
Fast, Full-Powered Digging and Leveling

Powerful Digging Performance



Integrated-Flow Pump System

The instant the machine begins to dig, extra output from the third pump (which otherwise powers the swing and dozer circuit) is directed to the arm circuit and boom circuit (raise) for added power. This ensures fast and smooth arm and boom raising operation even under heavy loads.



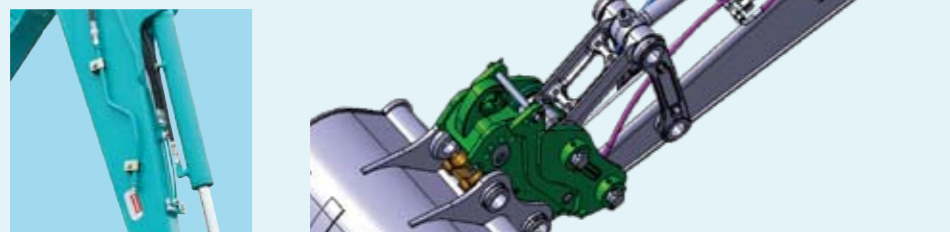
Large Capacity Engine

The large-capacity engine packs plenty power for outstanding hydraulic performance.



Easy Hydraulic Piping for Quick Hitch

Quick Hitch is available as option. Piping for Quick Hitch is fitted as standard.



More Travel Power

Large Capacity Travel Torque

The large capacity travel torque enables the machine to perform spin turn in low mode even when the dozer is pushing a heavy load.

Automatic Two-Speed Travel

An automatic shift function ensures smoother, more efficient travel on worksite. When the High mode is selected, the travel system will automatically shift to Low mode whenever the load or climbing grades requires more power.

Travel Switch

The travel lever is fitted with a button for easy switching to H-Mode travel.



Powerful and Efficient Dozer Performance

Dozer-Blade Shape

KOBELCO's unique blade design solves this problem by forming the earth into an arc that always falls forward. Because this prevents earth from falling behind the blade, only "one pass" is needed.



Hydraulic Pilot-Controlled Dozer Operation Lever



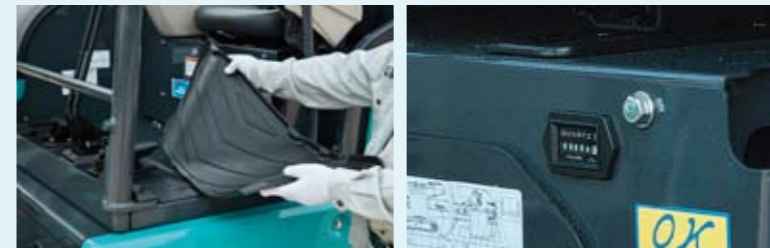
The dozer lever features hydraulic pilot control for precise handling.

MAINTENANCE

Easy Daily Maintenance

Start-up checks are essential for safe and reliable machine operation. All start-up checks can be performed at ground level, with an easy-to-understand layout and cover design that simplify access and save time.

Easy Access to Component Under the Seat



Two-piece floor mats for easy washing

Hour meter

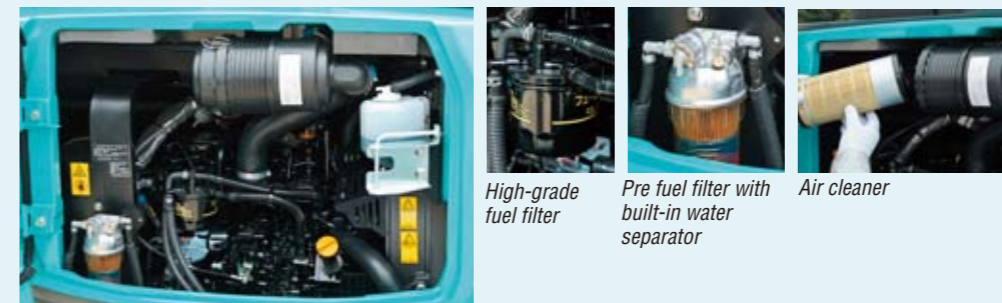


Easy Access to Cooling Unit



Fuel tank

Easy Access to Engine Compartment



High-grade fuel filter

Pre fuel filter with built-in water separator

Air cleaner

COMFORT

Comfortable Work Environment



Spacious Work Environment

The newly designed, rectangular cab is over 820 mm wide, with optimized control layout for comfortable, easy operation. A greater window area further improves visibility. A clear view is provided at the rear, and there's also more floor space, with a seat that slides further to ensure plenty of leg room.

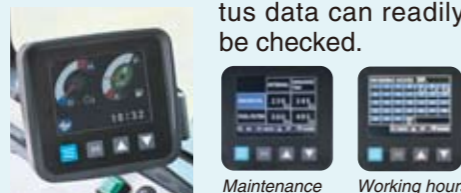
Easy Access

A wide-opening door and a left-hand tilting control console with safety lever that rises high, make it easy for operators to enter and exit the cab.



Color Liquid Crystal Monitor (Optional)

The color liquid crystal monitor is available as option. Operation data as well as the full range of machine-status data can readily be checked.



Maintenance Working hours

Work Light



Working light is mounted under the boom to protect from damage.

Skylight



Control Lever (Optional)

Precise proportional controls are integrated into the joystick for ease of operation.



Comfortable Operating Environment

Hammer for emergency exit



Climate control

The climate control system is located down and to the right of the seat, keeping the rear view clear.



Vents to send cooled air toward the operator if he desires.



Opening/closing front window

The front window features gas damper cylinders for smooth and easy opening and closing.



Coat hook



Room light



Two-speaker FM/AM radio with station select (optional)



Operator Safety

Reliable Cab/Canopy Structure

The high-strength cab/canopy meets ROPS and TOP GUARD LEVEL 1 standards for greater operator safety.



RELIABILITY

Reliable Construction

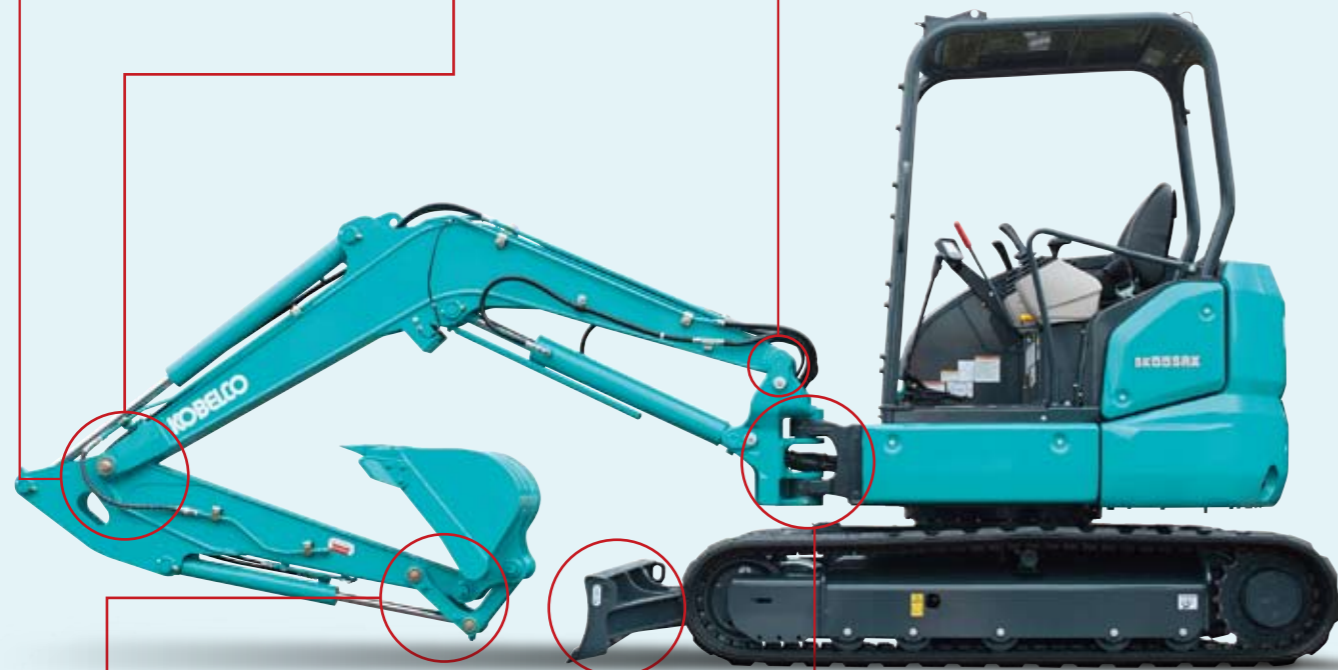
The boom, arm and swing bracket all have large cross-section segments for added attachment strength.

Strong boom and arm

Bolt-tightened pins firmly lock the boom and arm to prevent the boom top from opening laterally.

Forged boom top

Plate type pin



Bucket

Cast-iron idler link provide greater strength.



Dozer

Box construction dozer supports provide greater strength.



Swing bracket

Large, thick cast-iron swing bracket/front bracket.



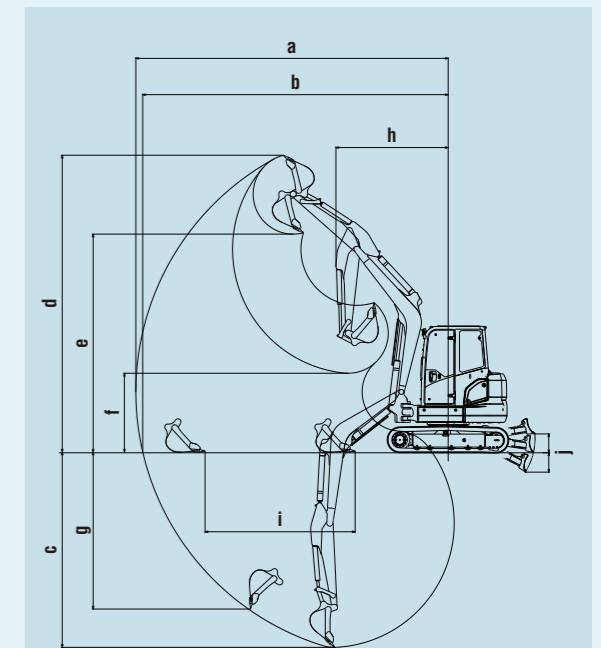
Hydraulic piping

The hydraulic piping is housed inside the swing bracket.

SPECIFICATIONS

GENERAL			SK55SRX	
MODEL			SK55SRX-6	
Type				
Crawler Shoe			Rubber	Steel
	Cab	kg	5,020	5,160
	Canopy	kg	4,900	5,040
Bucket Capacity		m ³	0.16	
Bucket Width (with side cutter)		mm	600	
Arm Length		m	1.69	
Bucket Digging Force		kN	35.2	
Arm Crowding Force		kN	24.6	
ENGINE			YANMAR 4TNV88-B	
Model			Water cooled, 4-cylce, 4-cylinder, direct injection, diesel engine	
Power Output	(ISO 9249)	kW/rpm	28.3/2,400	
	(ISO 14396)	kW/rpm	29.6/2,400	
Max. Torque	(ISO 9249)	N-m/min ⁻¹	131.1/1,400	
	(ISO 14396)	N-m/min ⁻¹	132.9/1,400	
Displacement		L	2.189	
Fuel Tank		L	75	
HYDRAULIC SYSTEM			Two variable displacement pumps + one gear pump	
Max. Discharge Flow		L/min	2 x 49.9, 1 x 33.8	
Relief Valve Setting		MPa	23.0	
Hydraulic Oil Tank (system)		L	27.9 (57.7)	
TRAVEL SYSTEM			2 x axial-piston, two-step motors	
Travel Motors			Oil disc brake per motor	
Parking Brake				
Travel Speed (high/low)		km/h	4.0/2.3	
Gradeability		% (degree)	58 (30)	
Drawbar Pulling Force		kN	54.9	
CRAWLER			400	
Shoe Width		mm		
Ground Pressure	Cab	kPa	28.7	30.4
	Canopy	kPa	28	29.7
DOZER BLADE			1,960 x 345	
Width x Height		mm		
Working Ranges (height/depth)		mm	375 x 385	
SWING SYSTEM			Axial piston motor	
Swing Motor			Oil disc brake, hydraulic operated automatically	
Parking Brake				
Swing Speed		min ⁻¹	8.8	
Tail Swing Radius		mm	1,170	
Min. Front Swing Radius	Over the front	Cab mm	2,250	
		Canopy mm	2,250	
At full boom swing	Cab mm	1,900		
	Canopy mm	1,900		
SIDE DIGGING MECHANISM			Boom swing	
Type				
Offset Angle	To the left	degree	70	
	To the right	degree	59	

WORKING RANGES

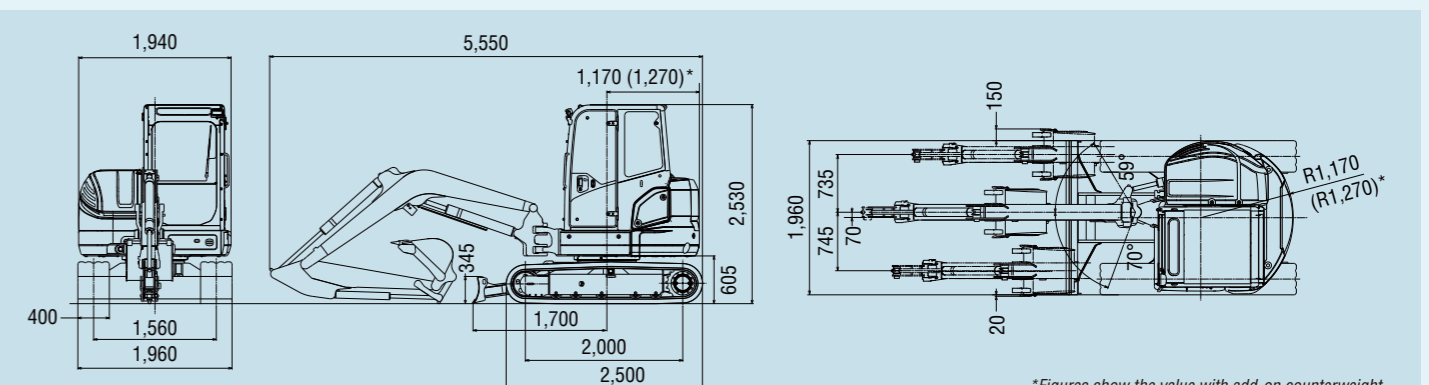


Unit: mm

Model	SK55SRX
Arm length	1.69 m
a- Max. digging reach	6,270
b- Max. digging reach at ground level	6,130
c- Max. digging depth	3,900
d- Max. digging height	6,010
e- Max. dumping clearance	4,420
f- Min. dumping clearance	1,590
g- Max. vertical wall digging depth	3,240
h- Min. swing radius	2,250
i- Horizontal digging stroke at ground level	2,950
j- Dozer blade (height/depth)	375/385

GENERAL DIMENSIONS

Unit: mm



*Figures show the value with add-on counterweight.

OPTIONAL EQUIPMENT

• N&B (HCP*) piping	• Bolt-on Pad shoes (for steel shoes)	• Arm & bucket cylinder cover
• N&B (foot) piping + Rotating N&B (HCP*)	• Add-on counterweight (250 kg) + 100 mm tail swing radius	• Front guard
• N&B (HCP*) piping + Rotating N&B (HCP*)	• Boom & arm holding valve	• 12 V power source
• ROPS cab with air conditioner	• Wide range of buckets	• Additional light for canopy spec.
• Radio (only for cab)	• Rear view mirror	
• Steel shoe	• Rear under mirror	

*Hand Control Proportional