

**KOBELCO**

SK55SRX-6

# MINI EXCAVATOR SK55SRX



**We Save You Fuel**  
Achieving a Low-Carbon Society

# Full-Size Performance, Short-Radius Agility and Quiet Operation

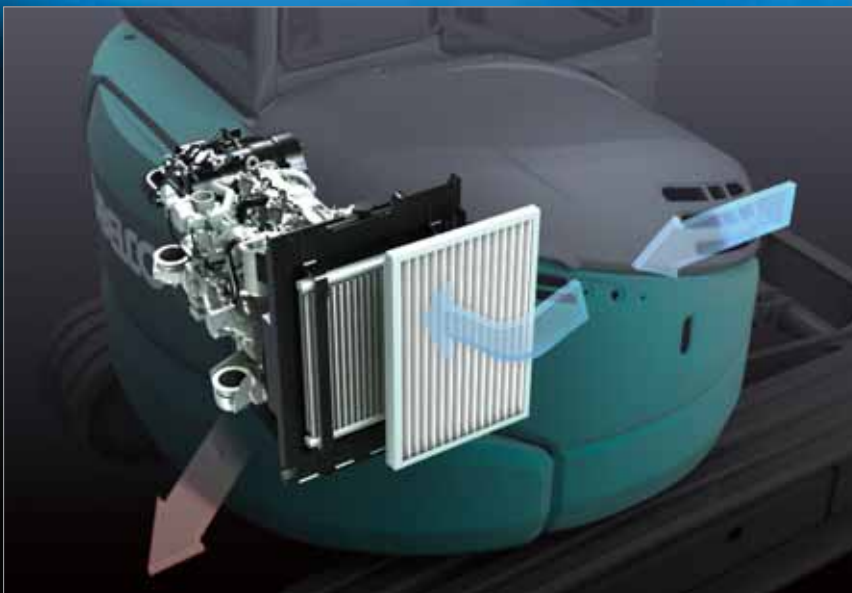
## COMPACT YET TOUGH MINI

Now KOBELCO has taken the next evolutionary step by packing even more digging power and practical performance features into the SK55SRX while maintaining a short tail swing.

The new Energy Conservation Mode saves even more fuel, and Kobelco's proprietary iNDr Cooling System ensures quiet operation, protection from dust, and easy maintenance.

For greater operator comfort and safety, the rectangular cab design offers plenty of room and an unobstructed view.

It all adds up to enhanced full-size performance, short-radius agility and a low-noise environment, with exceptional performance features and a full range of value-added functions.





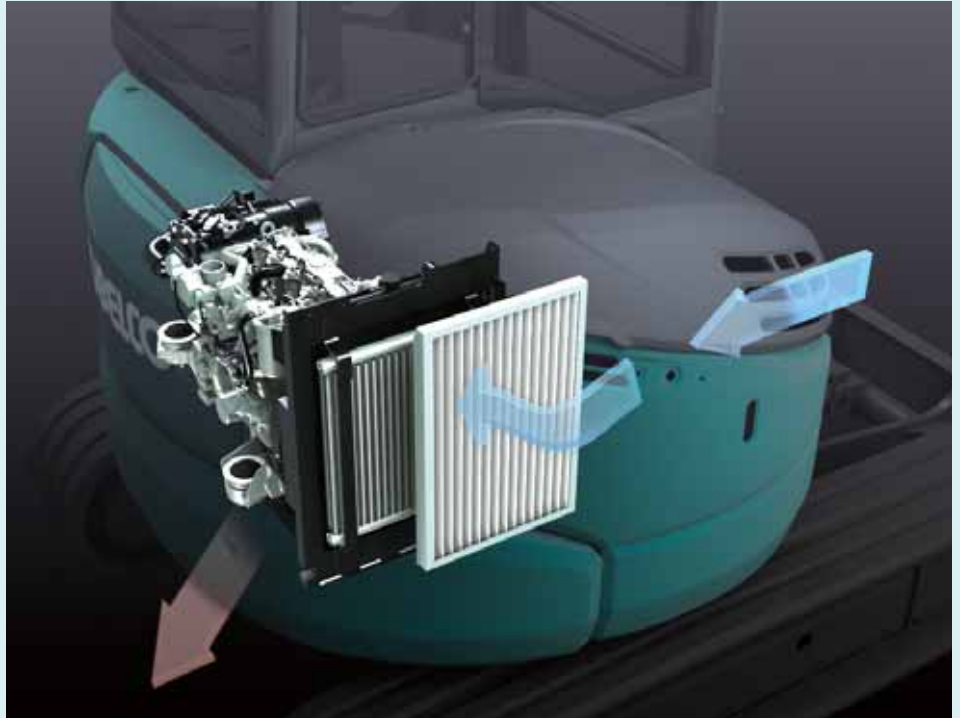


# iNDr Cooling System

## The Revolutionary Integrated Noise and Dust Reduction Cooling System



The highly airtight engine compartment and the offset duct contribute to noise reduction. The iNDr filter fitted in front of the cooling system ensures easy cleaning. The iNDr system on the SK55SRX features air intake at the front of the machine and air exhaust underneath. It functions in the same way as the iNDr System on the SR series machines.



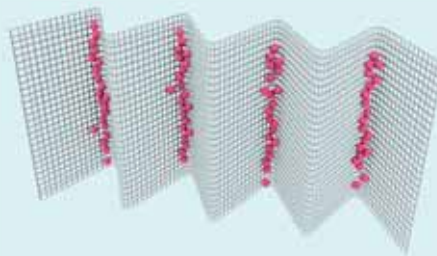
### Visual Checking and Easy Cleaning

Because the iNDr filter removes dust from the intake air, cooling components stay dirt-free and do not require regular cleaning. The iNDr filter itself can be easily removed and cleaned without the use of tools.



### iNDr Filter

The stainless-steel filter is extremely effective against dust, with 30-mesh wave-type screen that removes tiny dust particles from the intake air.



•30-mesh means that there are 30 holes formed by horizontal and vertical wires in every square inch of filter.

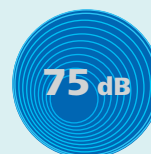
### iNDr Filter Blocks Out Dust

Outside air goes directly from the intake duct through the iNDr filter for dust removal.



### Ultimate Low Noise

KOBELCO's exclusive iNDr Cooling System delivers amazingly quiet operation.



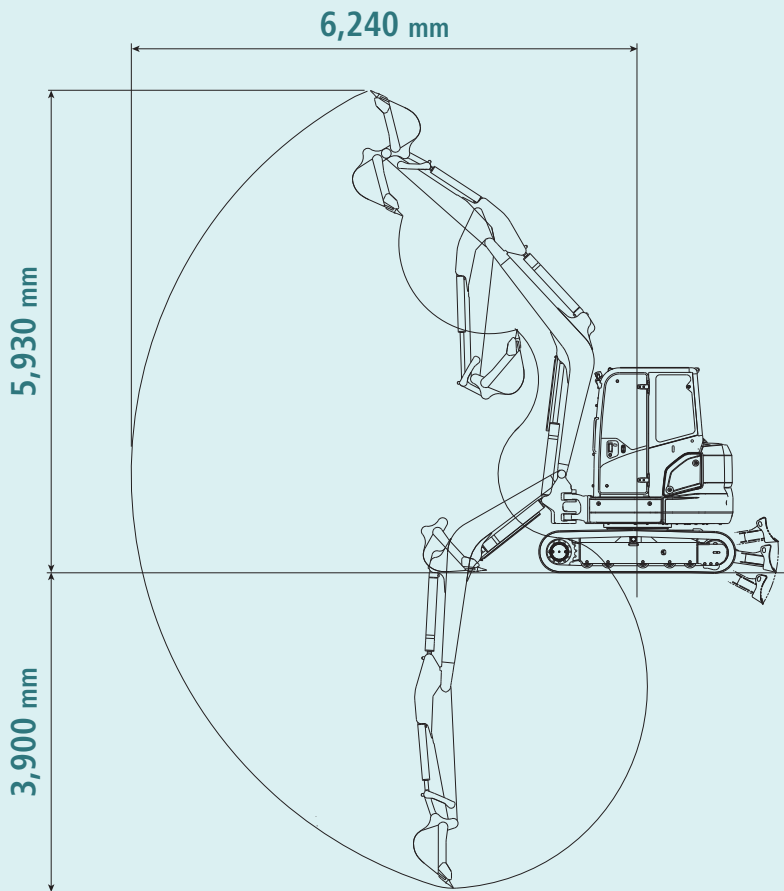
at 1 m backward from machine rear end and 1.5 m height from ground level.

## PERFORMANCE

# Compact, yet, Big Performance

### Wide Working Range

A larger boom and arm are provided as standard equipment to ensure a wider working range.



### Short Tail Swing

The compact tail swing improves operating efficiency in limited space.



*\*Figure shows the value of with add-on counterweight.*

### Energy Conservation Mode

The SK55SRX adapts S mode which enables 23 % less fuel consumption compared with H mode.



### One Touch Deceleration

The machine features one-touch deceleration. It allows easy switching to an idling state, reducing the fuel consumption while the machine is at rest.



### Easy Transportability

With an overall height of 2,530 mm, the machine is designed for easy transport.



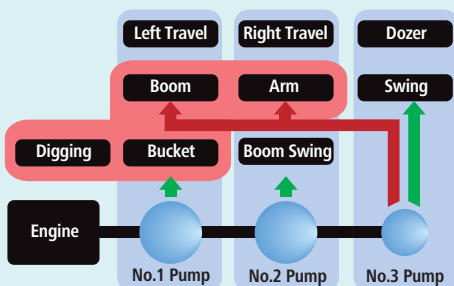
# Fast, Full-Powered Digging and Leveling

## Powerful Digging Performance



### Integrated-Flow Pump System

The instant the machine begins to dig, extra output from the third pump (which otherwise powers the swing and dozer circuit) is directed to the arm circuit and boom circuit (raise) for added power. This ensures fast and smooth arm and boom raising operation even under heavy loads.



### Easy Hydraulic Piping for Quick Hitch (Option)

Quick Hitch is available as option. Piping for Quick Hitch is fitted as standard.



### Large Capacity Engine

The large-capacity engine packs plenty of power for outstanding hydraulic performance.



## More Travel Power

### Large Capacity Travel Torque

The large capacity travel torque enables the machine to perform spin turn in low mode even when the dozer is pushing a heavy load.

### Automatic Two-Speed Travel

An automatic shift function ensures smoother, more efficient travel on worksite. When the High mode is selected, the travel system will automatically shift to Low mode whenever the load or climbing grades requires more power.

### Travel Switch

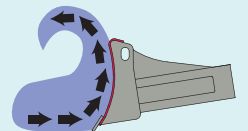
The travel lever is fitted with a button for easy shift up.



## Powerful and Efficient Dozer Performance

### Dozer-Blade Shape

KOBELCO's unique blade design solves this problem by forming the earth into an arc that always falls forward. Because this prevents earth from falling behind the blade, only "one pass" is needed.



### Hydraulic Pilot-Controlled Dozer Operation Lever



The dozer lever features hydraulic pilot control for precise handling.



## MAINTENANCE

# Easy Daily Maintenance

Start-up checks are essential for safe and reliable machine operation. All start-up checks can be performed at ground level, with an easy-to-understand layout and cover design that simplify access and save time.

### Easy Access to Component Inside the Cab



Two-piece floor mats for easy washing



Hour meter

### Floor Mat with Raised Edges

Floor mat's raised edges help keep the cab floor free of mud, simplifying cleaning.



### Easy Access to Cooling Unit iNDr filter



Fuel tank

### Easy Access to Engine Compartment



High-grade fuel filter



Pre fuel filter with built-in water separator



Air cleaner



COMFORT

## Comfortable Work Environment



### Spacious Work Environment

The newly designed, rectangular cab is over 820 mm wide, with optimized control layout for comfortable, easy operation. A greater window area further improves visibility. A clear view is provided at the rear, and there's also more floor space, with a seat that slides further to ensure plenty of leg room.

### Easy Access

A wide-opening door and a left-hand tilting control console with safety lever that rises high, make it easy for operators to enter and exit the cab.



### Reclining Suspension Seat

Suspension seat reclines to allow operator to optimize operating position and sit comfortably.



### Skylight



### Color Multi Display (Option)

Operation data as well as the full range of machine-status data can readily be checked.



Maintenance

Working hours



# Comfortable Operating Environment

## Opening Right Window

Rear window to the right can be opened to improve ventilation.



## Climate Control

The climate control system is located down and to the right of the seat keeping the rear view clear.



## Opening/Closing Front Window

The front window features gas damper cylinders for smooth and easy opening and closing.



## Coat Hook



## Room Light



## Two-Speaker FM/AM Radio with Station Select

### Bluetooth Installed Radio



Bluetooth installed to allow connections with iPhones and other devices.

## 12V Power Source

Power for various purposes.



## USB Port

USB port can be used to play music etc.



# Operator Safety

## Reliable Cab/Canopy Structure

The high-strength cab/canopy meets ROPS and TOP GUARD LEVEL 1 standards for greater operator safety.



## Rear View Mirrors (Option)



## Hammer for Emergency Exit



## Bracket for Yellow Rotating Light

Bracket provided at cab rear for optional fitting of a yellow rotating warning light.



## Work Light

Work light is mounted under the boom to protect from damage.



## RELIABILITY

# Reliable Construction

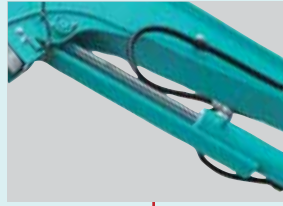
The boom, arm and swing bracket all have large cross-section segments for added attachment strength.

**Forged boom top**

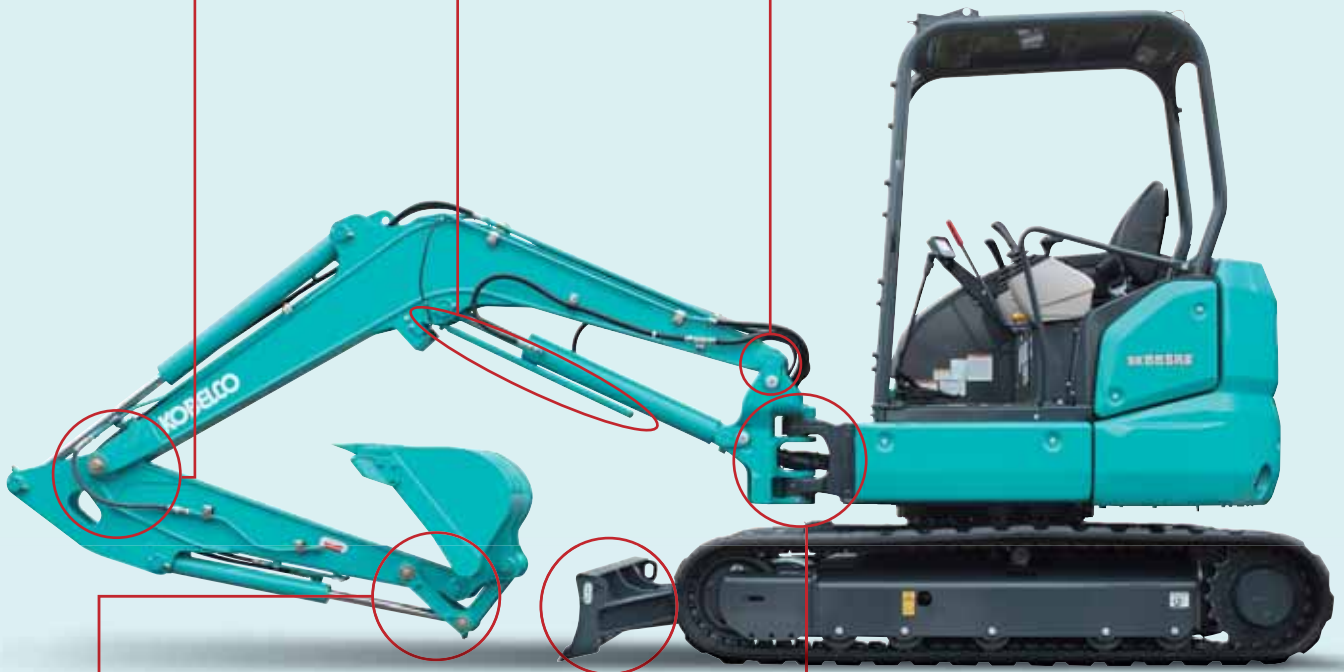


**Bolt-tightened pins**  
Bolt-tightened pins firmly lock the boom to prevent the boom top from opening laterally.

**Boom cylinder guard**



**Plate type pin**



**Bucket**  
Cast-iron idler link provides greater strength.



**Dozer**  
Box construction dozer supports provide greater strength.



**Swing bracket**  
Large, thick cast-iron swing bracket/front bracket.

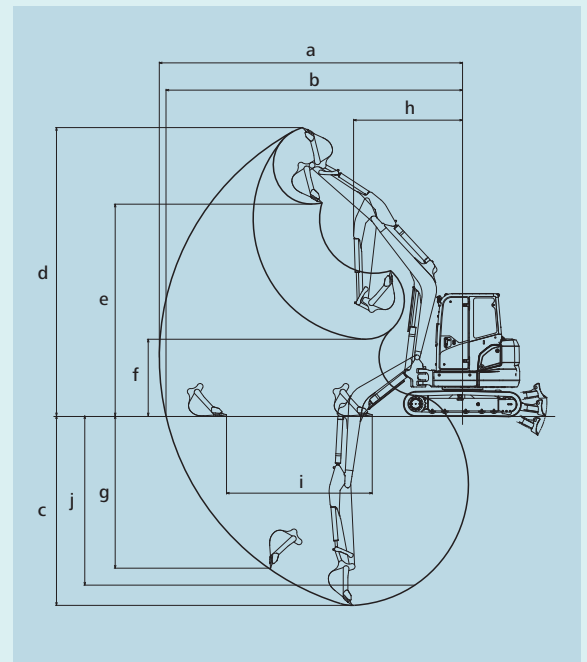


**Hydraulic hosing**  
The hydraulic hosing is housed inside the swing bracket.

## SPECIFICATIONS

GENERAL				
<b>MODEL</b>		SK55SRX		
<b>Type</b>		SK55SRX-6		
Crawler Shoe		Rubber	Steel	
Machine Mass	Cab	kg	5,020	5,160
	Canopy	kg	4,900	5,040
Bucket Capacity		m <sup>3</sup>	0.16	
Bucket Width (with side cutter)		mm	600	
Arm Length		m	1.69	
Bucket Digging Force		kN	35.2	
Arm Crowding Force		kN	24.6	
ENGINE				
Model		YANMAR 4TNV88-B		
Type		Water cooled, 4-cycle, 4-cylinder, direct injection, diesel engine		
Power Output	(ISO 9249)	kW/min <sup>-1</sup>	28.3/2,400	
	(ISO 14396)	kW/min <sup>-1</sup>	29.5/2,400	
Max. Torque	(ISO 9249)	N·m/min <sup>-1</sup>	131.1/1,440	
	(ISO 14396)	N·m/min <sup>-1</sup>	132.9/1,400	
Displacement		L	2.189	
Fuel Tank		L	75	
HYDRAULIC SYSTEM				
Pump		Two variable displacement pumps + one gear pump		
Max. Discharge Flow		L/min	2 x 49.9, 1 x 33.8	
Relief Valve Setting		MPa	23.0	
Hydraulic Oil Tank (system)		L	27.9 (57.7)	
TRAVEL SYSTEM				
Travel Motors		2 x axial-piston, two-step motors		
Parking Brake		Oil disc brake per motor		
Travel Speed (high/low)		km/h	4.0/2.3	3.7/2.1
Gradeability		% (degree)	58 (30)	
Drawbar Pulling Force		kN	54.9	59.1
CRAWLER				
Shoe Width		mm	400	
Ground Pressure	Cab	kPa	28.7	30.4
	Canopy	kPa	28	29.7
DOZER BLADE				
Width x Height		mm	1,960 x 345	
Working Ranges (height/depth)		mm	375 x 385	
SWING SYSTEM				
Swing Motor		Axial piston motor		
Parking Brake		Oil disc brake, hydraulic operated automatically		
Swing Speed		min <sup>-1</sup>	8.8	

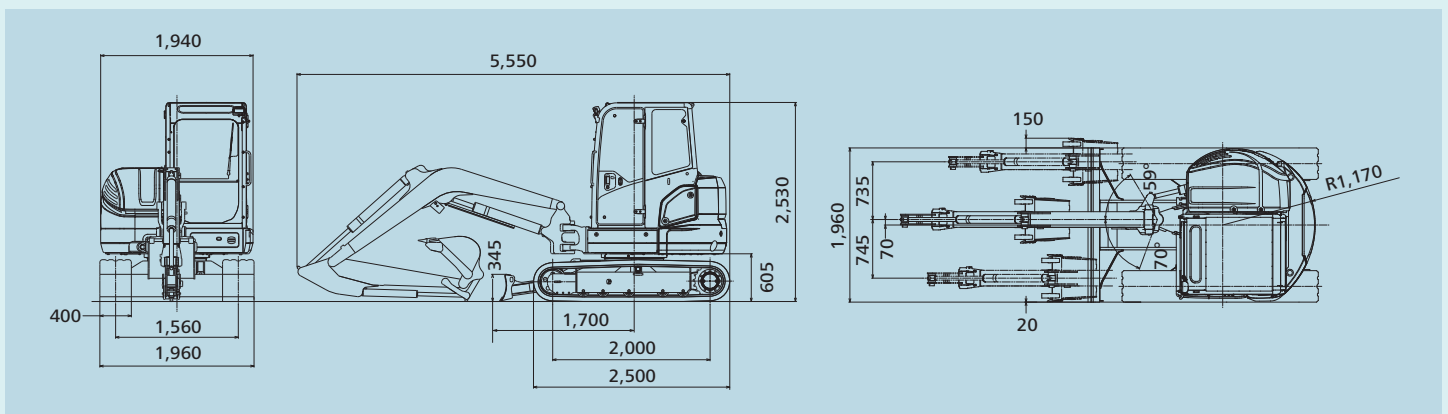
## WORKING RANGES



Unit: mm

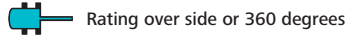
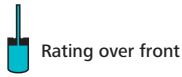
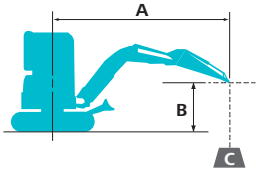
MODEL	SK55SRX
Arm length	1.69 m
a- Max. digging reach	6,240
b- Max. digging reach at ground level	6,100
c- Max. digging depth	3,900
d- Max. digging height	5,930
e- Max. dumping clearance	4,350
f- Min. dumping clearance	1,580
g- Max. vertical wall digging depth	3,140
h- Min. swing radius at boom swing	2,250
i- Horizontal digging stroke at ground level	3,000
j- Digging depth for 2.4 m (8') flat bottom	3,480

## GENERAL DIMENSIONS





# LIFTING CAPACITIES



A: Reach from swing centerline to arm top  
 B: Arm top height above/below ground  
 C: Lifting capacities in kilograms  
 Shoe: Rubber shoe Dozer blade: Up  
 Relief valve setting: 23.0 MPa

SK55SRX Cab		Standard Arm: 1.69 m, Bucket: Without Rubber shoe: 400 mm														
A \ B		1.0 m		2.0 m		3.0 m		4.0 m		5.0 m		At Max. Reach		Radius		
		Rating over front	Rating over side or 360 degrees	Rating over front	Rating over side or 360 degrees	Rating over front	Rating over side or 360 degrees	Rating over front	Rating over side or 360 degrees	Rating over front	Rating over side or 360 degrees	Rating over front	Rating over side or 360 degrees			
5.0 m	kg													*1,030	*1,030	3.38 m
4.0 m	kg							*930	*930					960	810	4.47 m
3.0 m	kg							*1,000	970	800	670			780	660	5.07 m
2.0 m	kg					*1,620	1,430	1,110	930	790	660			700	590	5.37 m
1.0 m	kg					1,640	1,320	1,060	880	770	640			680	570	5.43 m
G. L.	kg			*1,240	*1,240	1,590	1,280	1,030	850	750	630			700	580	5.27 m
-1.0 m	kg	*2,070	*2,070	*2,570	2,490	1,580	1,270	1,020	840					780	650	4.85 m
-2.0 m	kg	*3,200	*3,200	*3,370	2,540	1,610	1,290	1,040	860					1,010	840	4.09 m
-3.0 m	kg			*1,590	*1,590									*1,190	*1,190	2.52 m

SK55SRX Canopy		Standard Arm: 1.69 m, Bucket: Without Rubber shoe: 400 mm														
A \ B		1.0 m		2.0 m		3.0 m		4.0 m		5.0 m		At Max. Reach		Radius		
		Rating over front	Rating over side or 360 degrees	Rating over front	Rating over side or 360 degrees	Rating over front	Rating over side or 360 degrees	Rating over front	Rating over side or 360 degrees	Rating over front	Rating over side or 360 degrees	Rating over front	Rating over side or 360 degrees			
5.0 m	kg													*1,030	*1,030	3.38 m
4.0 m	kg							*930	*930					940	790	4.47 m
3.0 m	kg							*1,000	940	780	650			760	640	5.07 m
2.0 m	kg					*1,620	1,390	1,080	900	760	640			680	570	5.37 m
1.0 m	kg					1,590	1,280	1,030	860	740	620			660	550	5.43 m
G. L.	kg			*1,240	*1,240	1,540	1,240	1,000	830	730	610			680	570	5.27 m
-1.0 m	kg	*2,070	*2,070	*2,570	2,420	1,530	1,230	990	820					760	630	4.85 m
-2.0 m	kg	*3,200	*3,200	3,300	2,470	1,560	1,260	1,010	840					980	810	4.09 m
-3.0 m	kg			*1,590	*1,590									*1,190	*1,190	2.52 m

**Notes:**

- Do not attempt to lift or hold any load that is greater than these lift capacities at their specified lift point radius and heights. Weight of all accessories must be deducted from the above lift capacities.
- Lift capacities are based on machine standing on level, firm, and uniform ground. User must make allowance for job conditions such as soft or uneven ground, out of level conditions, side loads, sudden stopping of loads, hazardous conditions, experience of personnel, etc.
- Arm top defined as lift point.

- The above lifting capacities are in compliance with ISO 10567. They do not exceed 87% of hydraulic lifting capacity or 75% of tipping load. Lifting capacities marked with an asterisk (\*) are limited by hydraulic capacity rather than tipping load.
- Operator should be fully acquainted with the Operator's and Maintenance Instructions before operating this machine. Rules for safe operation of equipment should be adhered to at all times.
- Lift capacities apply to only machine as originally manufactured and normally equipped by KOBELCO CONSTRUCTION MACHINERY CO., LTD.

Note: This catalog may contain attachments and optional equipment that are not available in your area. And it may contain photographs of machines with specifications that differ from those of machines sold in your areas. Please consult your nearest KOBELCO distributor for those items you require. Due to our policy of continuous product improvements all designs and specifications are subject to change without advance notice. Copyright by **KOBELCO CONSTRUCTION MACHINERY CO., LTD.** No part of this catalog may be reproduced in any manner without notice.

**KOBELCO CONSTRUCTION MACHINERY CO., LTD.**

5-5-15 kitashinagawa, Shinagawa-ku, Tokyo 141-8626 JAPAN  
 Tel: +81 (0) 3-5789-2146 Fax: +81 (0) 3-5789-2135  
[www.kobelco-kenki.co.jp/english\\_index.html](http://www.kobelco-kenki.co.jp/english_index.html)

Inquiries To: