

Telescopic Boom Crawler Crane

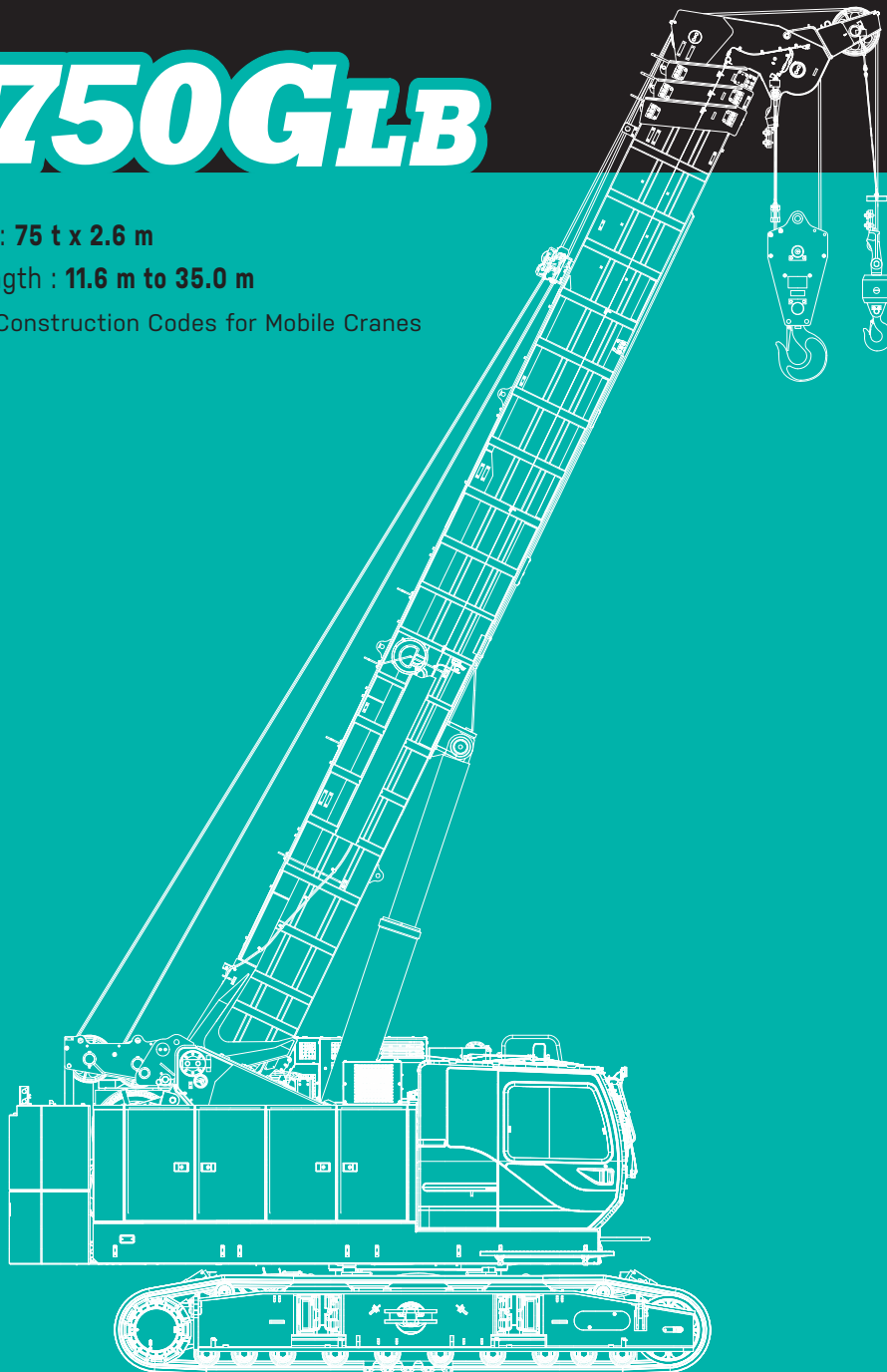
TK750GLB

Model : TK750G-2

Max. Lifting Capacity : **75 t x 2.6 m**

Telescopic Boom Length : **11.6 m to 35.0 m**

Comply with Japanese Construction Codes for Mobile Cranes



KOBELCO



TK750GLB CONTENTS

3

SPECIFICATIONS

5

GENERAL DIMENSIONS

7

WORKING RANGES

8

SUPPLEMENTAL DATA

9

LIFTING CAPACITIES

11

TRANSPORTATION PLAN

12

PARTS AND ATTACHMENTS

SPECIFICATIONS



Power Plant

Model: Mercedes-Benz E9H01 (Daimler OM936LA)
Type: Water cooled 4 cycle, 6 cylinder, direct injection diesel with turbocharger, intercooler
Complies with NRMM (Europe) Stage V
Displacement: 7.697 L
Rated power: 254 kW/2,000 min⁻¹
Max. torque: 1,245 N·m/1,400 min⁻¹
Cooling system: Water-cooled
Starter: 24 V-3.9 kW
Radiator: Corrugated type core, thermostatically controlled
Air cleaner: Dry type with replaceable paper element
Throttle: Twist grip type hand throttle, electrically actuated
Fuel filter: Replaceable paper element
Batteries: Two 12 V x 136 Ah/5 HR capacity batteries, series connected
Fuel tank capacity: 400 L
AdBlue® tank usable volume: 40 L



Hydraulic System

Main pumps: 4-pumps (2 variable plunger pumps + 2 gear pumps) + 4-pumps (2 variable plunger pumps + 2 gear pumps)
Control: Full-flow hydraulic control system for infinitely variable pressure to all winches, propel and swing. Controls respond instantly to the touch, delivering smooth function operation.
Cooling: Oil-to-air heat exchanger (plate-fin type)
Filtration: Full-flow and bypass type with replaceable element
Max. relief valve pressure:
Load hoist and propel system: 31.9 MPa
Swing system (free): 27.4 MPa
Swing system (brake): 24.5 MPa
Control system: 6.6 MPa
2nd/3rd boom telescope (extend): 20.6 MPa
2nd/3rd boom telescope (retract): 20.6 MPa
Top boom telescope (extend): 15.7 MPa
Top boom telescope (retract): 20.6 MPa
Boom hoist (lower): 9.5 MPa
Boom hoist (raise): 27.5 MPa
Oil Quantity (at the reference level): 791 L



Load Hoisting System

Hydraulic motor drive with spur gear reduction with auto-brake, independent 2 winches, with third winch (option)
Negative brake: A spring-set, hydraulically released multiple-disk brake is mounted on the hoist motor and operated through a counter-balance valve. (Positive free fall brake is optional)
Drum lock: External ratchet for locking drum
Drums:
Main drum: 550 mm P.C.D x 545 mm wide drum, grooved for 22 mm wire rope. Rope capacity is 205 m working length and 335 m storage length.
Aux. drum: 550 mm P.C.D x 545 mm wide drum, grooved for 22 mm wire rope. Rope capacity is 90 m working length and

335 m storage length.

Third drum with free fall (option): 550 mm P.C.D x 545 mm wide drum, grooved for 22 mm wire rope. Rope capacity is 205 m working length and 335 m storage length.

Third drum without free fall (option): 360 mm P.C.D x 419 mm wide drum, grooved for 18 mm wire rope. Rope capacity is 205 m working length and 205 m storage length.

Diameter of wire rope

Main winch: 22 mm x 205 m

Aux. winch: 22 mm x 90 m

Third winch with free fall: 22 mm x 205 m

Third winch without free fall: 18 mm x 205 m

Line speed*

Main winch: 110 m/min

Aux. winch: 110 m/min

Third winch with free fall: 110 m/min

Third winch without free fall: 87 m/min

Max. line pull** (Referential performance)

Main winch: 153.1 kN {15.6 tf}

Aux. winch: 153.1 kN {15.6 tf}

Third winch with free fall: 153.1 kN {15.6 tf}

Third winch without free fall: 107.0 kN {10.9 tf}

Rated line pull:

Main winch: 68.7 kN {7.0 tf}

Aux. winch: 68.7 kN {7.0 tf}

Third winch with free fall: 68.7 kN {7.0 tf}

Third winch without free fall: 52.0 kN {5.3 tf}

*Single line on first drum layer

**Max. line pull is not based on wire rope strength



Swing System

Swing unit is powered by hydraulic motor driving spur gears through planetary reducer, the swing system provides 360° rotation.
Swing parking brakes: A spring-set, hydraulically released multiple-disk brake is mounted on swing motor.
Swing circle: Single-row ball bearing with an integral internally cut swing gear.
Swing lock: Manually, four position lock for transportation
Swing speed: 2.5 min⁻¹



Upper Structure

Torsion-free precision machined upper frame. All components are located clearly and service friendly. Engine will with low noise level.
Counterweight: 17.2 ton



Cab & Control

Totally enclosed, full vision cab with safety glass, fully adjustable, high backed seat with a headrest and armrests, and intermittent wiper and window washer (skylight and front window).
Cab fittings:
Air conditioner, convenient compartment (for tool), cup holder, cigarette lighter, sun visor, roof blind, tinted glass, floor mat, footrest, and shoe tray.



Lower Structure

Steel-welded carbody with axles. Crawler assemblies can be hydraulically extended for wide-track operation or retracted for transportation. Crawler belt tension is maintained by hydraulic jack force on the track-adjusting bearing block.

Crawler drive: Independent hydraulic propel drive is built into each crawler side frame. Each drive consists of a hydraulic motor propelling a driving tumbler through a planetary gear box. Hydraulic motor and gear box are built into the crawler side frame within the shoe width.

Crawler brakes: Spring-set, hydraulically released parking brakes are built into each propel drive.

Steering mechanism: A hydraulic propel system provides both skid steering (driving one track only) and counter-rotating steering (driving each track in opposite directions).

Track rollers: Sealed track rollers for maintenance-free operation.

Shoe (flat): 800 mm wide each crawler

Max. gradeability: 40%



Weight

Including upper and lower machine, 17.2 ton counterweight, boom, hook, and other accessories.

Weight: 71.6 ton

Ground pressure: 85.5 kPa



Attachment

Boom:

Four section, box construction, 2nd and 3rd simultaneously telescoping, 4th independently telescoping.

Boom length

	Min. Length	Max. Length
Telescopic Boom	11.6 m	35.0 m

Main Specifications (Model: TK750G-2)

Crane Performance		
Max. Rated Load	11.6 m boom	75.0 t x 2.6 m (11-lines)
	19.4 m boom	35.0 t x 4.5 m (6-lines)
	23.3 m boom	28.0 t x 6.0 m (4-lines)
	27.2 m boom	20.0 t x 8.0 m (4-lines)
	32.5 m boom	18.5 t x 8.5 m (4-lines)
	35.0 m boom	16.3 t x 8.5 m (4-lines)
	Aux. sheave (Max.)	7.0 t (1-line)
Main Boom Length	11.6 m to 35.0 m	
Main Hook Max. Height	35.0 m	
Main Hook Max. Operating Radius	32.7 m	
Winch (Main / Aux. / Third [with free fall]*1)		
Line Speed (1st layer)*2	110 m/min	
Rated Line Pull (Single line)	68.7 kN {7.0 tf}	
Max. Line Pull (Referential performance)*3	153.1 kN {15.6 tf}	
Wire Rope Diameter	22 mm	
Wire Rope Length	205 m (Main), 90 m (Aux.), 205 m (Third [with free fall]*1)	
Brake Type (Free fall)	Wet-type multiple disc brake	
Winch (Third [without free fall]*1)		
Line Speed (1st layer)*2	87 m/min	
Rated Line Pull (Single line)	52.0 kN {5.3 tf}	
Max. Line Pull (Referential performance)*3	107.0 kN {10.9 tf}	
Wire Rope Diameter	18 mm	
Wire Rope Length	205 m	
Working Speed		
Swing Speed	2.5 min ⁻¹ {2.5 rpm}	
Travel Speed*2	1.6 / 1.1 (High / Low select) km/h	
Boom Telescoping Speed	135 sec / 23.4 m	
Boom Raising Speed	64 sec / 0 to 83 degree	

Power Plant	
Model	Mercedes-Benz E9H01 (Daimler OM936LA)
Engine Output	254 kW / 2,000 min ⁻¹
Fuel Tank	400 L
AdBlue® Tank Usable Volume	40 L
Hydraulic System	
Main Pumps	4 pumps (2 variable plunger pumps + 2 gear pumps) + 4 pumps (2 variable plunger pumps + 2 gear pumps)
Max. Pressure	31.9 MPa {325 kgf/cm ² }
Oil Quantity (at the reference level)	791 L
Self-Removal Device	
	Counterweight
Weight	
Operating Weight	71.6 t
Ground Pressure	85.5 kPa {0.87 kgf/cm ² }
Counterweight	17,200 kg
Transport Weight	26,800 kg (30,300 kg *3)

Units are SI units. { } indicates conventional units.

Line speeds in table are for light loads. Line speed varies with load.

*1 Third winch is optional

*2 Calculations changed from previous model, but the actual working speed is the equivalent.

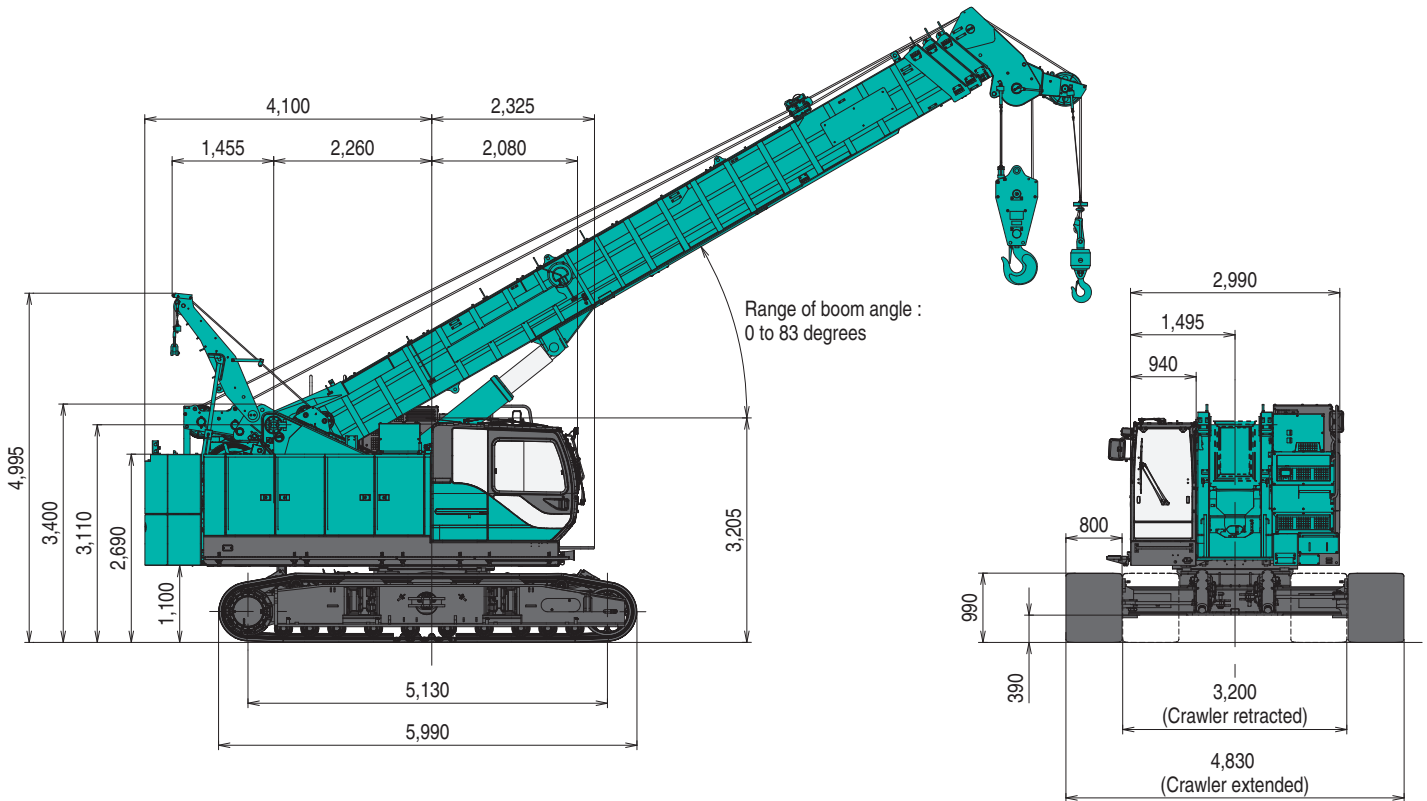
*3 Max. line pull is not based on wire rope strength.

*4 With third winch and other optional parts / attachments.

GENERAL DIMENSIONS

Counterweight Self-Removal Device Extended

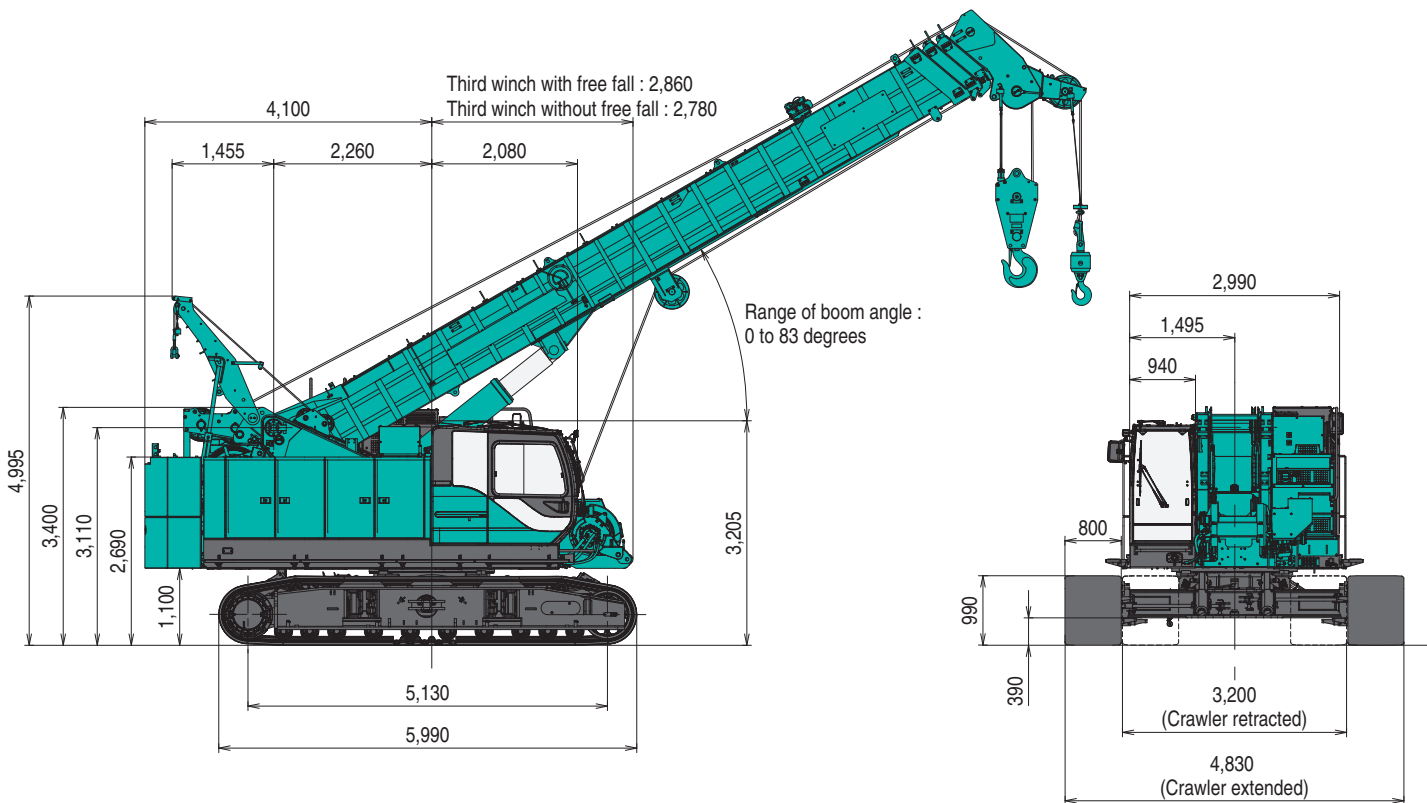
(Unit: mm)



With Third Drum (Option)

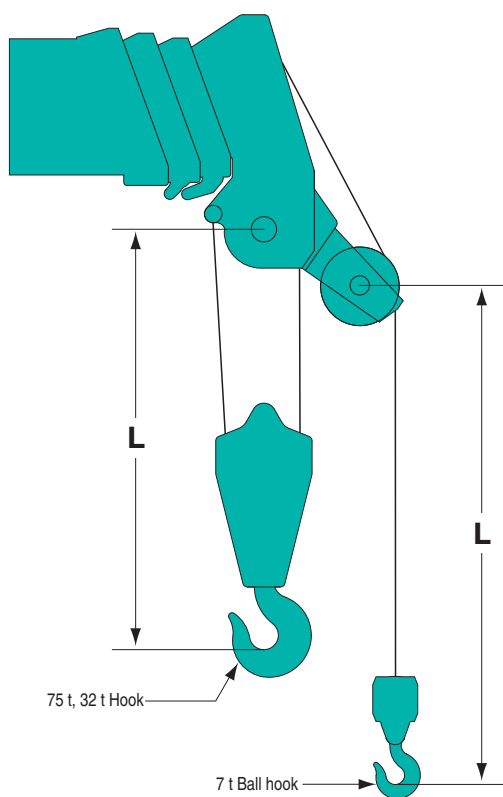
Counterweight Self-Removal Device Extended

(Unit: mm)

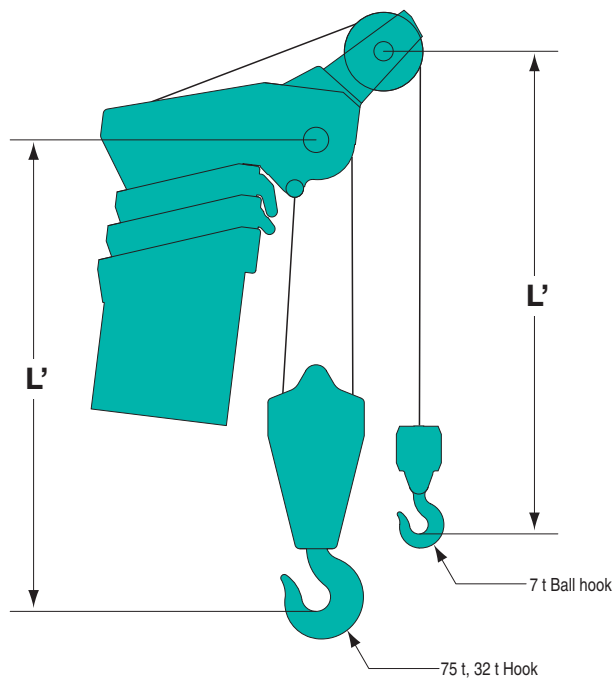


Limit of Hook Lifting

Boom Horizontal



Boom at Maximum Angle



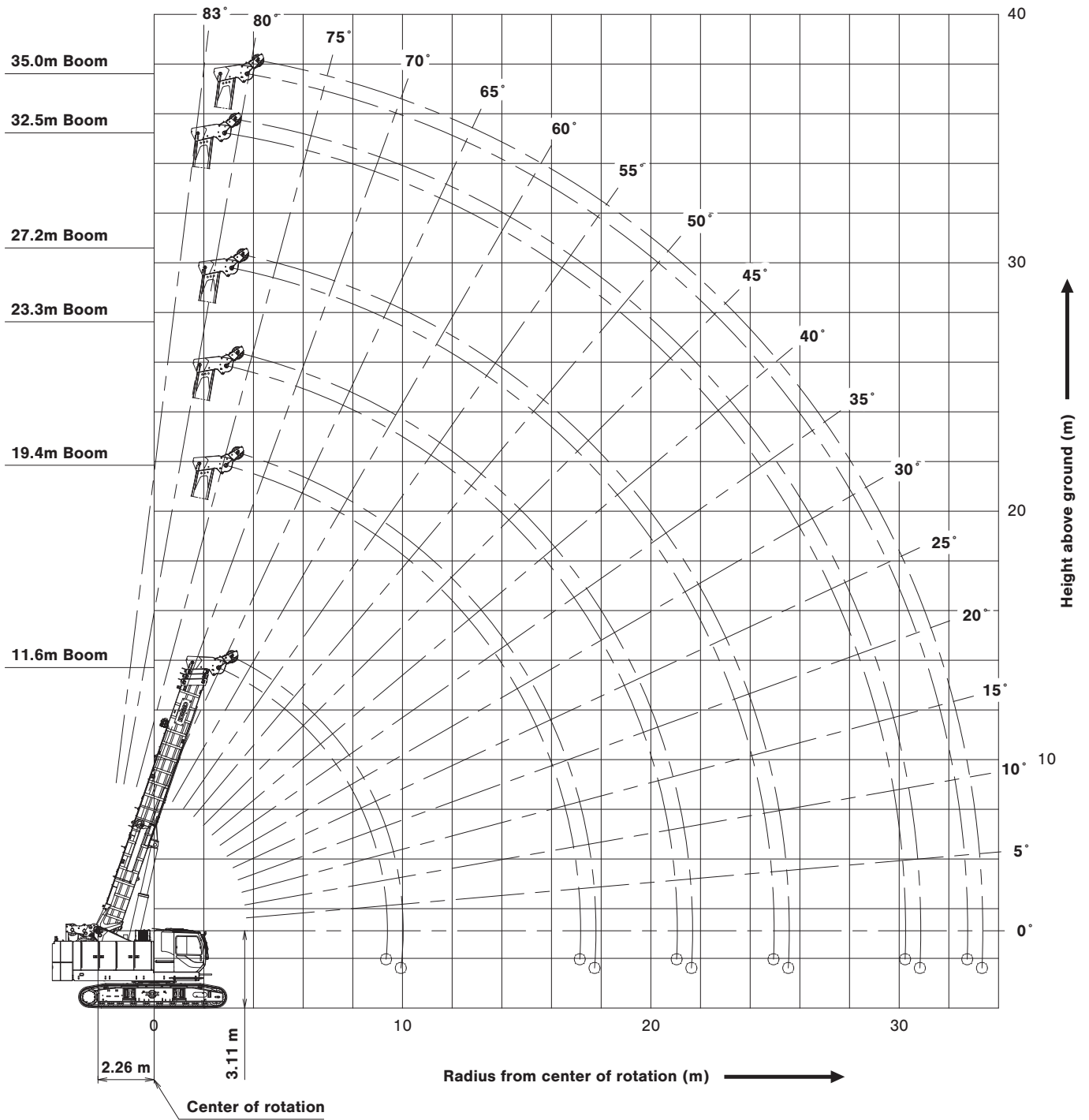
Auxiliary Sheave (Single Sheave)

Hook	L	L'
75 t	2,540 mm	2,850 mm
32 t	2,275 mm	2,585 mm
7 t Ball hook	2,955 mm	2,845 mm

Auxiliary Sheave (Double Sheave) (Option)

Hook	L	L'
75 t	2,540 mm	2,850 mm
32 t	2,275 mm	2,585 mm
7 t Ball hook	2,925 mm	2,815 mm

WORKING RANGES



SUPPLEMENTAL DATA

1. Ratings according to Japanese construction codes for mobile cranes.

The crane rated loads are including the weight of hooks and other lifting gears.

Values marked with are decided according to strength of the machine.

Other values are decided according to stability of the machine.

Type of hook	75 t	32 t	7 t	7 t Lightweight type
Weight	800 kg	500 kg	160 kg	60 kg

CAUTION

When uses of the lightweight hook, it may not be lowered depending on the boom length, boom angle and/or the hook height.

In case of the hook is not lowered, add the suitable weights adjusted up to the weight of the ball hook.

2. Even when it is intended to lift a crane rated load, the operator shall be responsible for ensuring safety depending on the actual condition such as reducing of the load and reduction of a working speed, if applicable conditions such as influence of the wind, ground condition, working speed and others are likely to cause safety problems.
3. A working radius shall mean a horizontal distance from the center line of center of rotation of the crane to the center of gravity of the load to be lifted.
The working radius is based on an actual value with the factor of deflection of the boom taken into considerations.
Thus, be sure to conduct the crane work while referencing the working radius.
4. Be sure to keep the crawler frame extended up to the specified position during execution of the crane work.
5. The rated capacity of the auxiliary sheave shall be equal to the rated capacity of the boom minus the weight of the hook used for the main lift, and shall be limited to 7,000 kg.
6. As to the crane rated loads of third drum (with free fall), the crane rated loads of the boom applies, but the limit shall be (a single part of line) 7,000 kg.
7. As to the crane rated loads of third drum (without free fall), the crane rated loads of the boom applies, but the limit shall be (a single part of line) 5,300 kg.

8. When the boom length is in excess of the specified value, conduct the crane work under a rated crane load of the boom of the specified length or a boom of one stage above, whichever is smaller.

9. Where no value is given in the columns of the crane rated loads chart, no execution of work is allowed.
(If the boom should be inclined to an angle smaller than the minimum boom angle, be fully careful, since the base machine could overturn with no load.)

10. The minimum number of parts line of the main hook in the main winch lifting is decided within a range not to exceed the value of 7,000 kg per single wire rope.

The standard numbers of parts line by boom length are as shown below.

Boom length : m	11.6	19.4	23.3	27.2	32.5	35.0
Hook : t	75		32			
Number of parts line	11	6	4	4	4	4

11. The minimum number of part lines of the main hook in the third (with free fall) drum winch lifting is decided within a range not to exceed the value of 7,000 kg per single wire rope.

The standard numbers of parts line by boom length are as shown below.

Boom length : m	11.6	19.4	23.3	27.2	32.5	35.0
Hook : t	75		32			
Number of parts line	10	6	4	4	4	4

12. The minimum number of part lines of the main hook in the third (without free fall) drum winch lifting is decided within a range not to exceed the value of 5,300 kg per single wire rope.

The standard numbers of parts line by boom length are as shown below.

Boom length : m	11.6	19.4	23.3	27.2	32.5	35.0
Hook : t	75		32			
Number of parts line	6	6	4	4	4	4

13. To prevent a load being lifted and carried from falling due to wrong operation or others, do not perform a free fall work in the crane work.

LIFTING CAPACITIES



Crane Rated Load Chart

Counterweight: 17.2 t

(Unit: metric ton)

Working radius (m)	Boom length (m)						35.0	Boom length (m)	Working radius (m)
		11.6	19.4	23.3	27.2	32.5			
2.6	75.0							2.6	
3.0	67.0		35.0	28.0	20.0	18.5		3.0	
3.5	58.0		35.0	28.0	20.0	18.5	16.3	3.5	
3.7	55.0		35.0	28.0	20.0	18.5	16.3	3.7	
4.0	52.0		35.0	28.0	20.0	18.5	16.3	4.0	
4.5	46.8		35.0	28.0	20.0	18.5	16.3	4.5	
5.0	42.2		33.5	28.0	20.0	18.5	16.3	5.0	
5.5	38.0		31.5	28.0	20.0	18.5	16.3	5.5	
6.0	34.5		29.8	28.0	20.0	18.5	16.3	6.0	
6.5	31.2		28.0	26.1	20.0	18.5	16.3	6.5	
7.0	28.5		26.3	24.1	20.0	18.5	16.3	7.0	
7.5	26.0		24.6	22.6	20.0	18.5	16.3	7.5	
8.0	23.0		23.2	21.1	20.0	18.5	16.3	8.0	
8.5	20.5		21.4	19.9	19.0	18.5	16.3	8.5	
9.0	18.0		19.6	18.8	18.1	17.2	15.9	9.0	
9.5	9.3m/12.3		17.9	17.5	17.0	16.3	15.4	9.5	
10.0			16.5	16.4	16.1	15.5	14.9	10.0	
11.0			14.2	14.1	14.1	14.0	13.3	11.0	
12.0			12.3	12.3	12.2	12.5	11.9	12.0	
13.0			10.8	10.8	10.7	11.2	10.9	13.0	
14.0			9.5	9.5	9.4	9.9	10.1	14.0	
15.0			8.5	8.4	8.3	8.8	9.0	15.0	
16.0			7.6	7.5	7.4	7.9	8.1	16.0	
17.0			6.6	6.7	6.6	7.1	7.3	17.0	
18.0		17.1m/6.4		6.0	5.9	6.4	6.5	18.0	
19.0				5.4	5.3	5.8	5.9	19.0	
20.0				4.9	4.8	5.2	5.4	20.0	
21.0				4.3	4.2	4.7	4.9	21.0	
22.0					3.8	4.2	4.4	22.0	
23.0					3.3	3.8	4.0	23.0	
24.0					2.9	3.4	3.6	24.0	
25.0					24.9m/2.5	3.1	3.3	25.0	
26.0						2.7	2.9	26.0	
27.0						2.5	2.6	27.0	
28.0						2.2	2.3	28.0	
29.0						1.9	2.0	29.0	
30.0						1.7	1.8	30.0	
31.0						30.2m/1.6	1.6	31.0	
32.0							1.4	32.0	
33.0							32.7m/1.2	33.0	
Max. boom angle		71°	78°	80°	81°	83°	82°	Max. boom angle	
Min. boom angle		0°	0°	0°	0°	0°	0°	Min. boom angle	

Note:

Ratings shown in are determined by the strength of the boom or other structural components.

Lifting capacities may vary depending on hook used.

Please refer rated chart in operator's cabin.



Crane Rated Load Chart

Counterweight: 8.2 t (Option)
Special type boom rated load

(Unit: metric ton)

Working radius (m)	Boom length (m)						Boom length (m)	Working radius (m)
		11.6	19.4	23.3	27.2	32.5		
2.6	75.0							2.6
3.0	67.0		35.0	28.0	20.0	18.5		3.0
3.5	58.0		35.0	28.0	20.0	18.5	16.3	3.5
3.7	55.0		35.0	28.0	20.0	18.5	16.3	3.7
4.0	52.0		35.0	28.0	20.0	18.5	16.3	4.0
4.5	44.7		35.0	28.0	20.0	18.5	16.3	4.5
5.0	37.5		33.5	28.0	20.0	18.5	16.3	5.0
5.5	31.5		31.0	28.0	20.0	18.5	16.3	5.5
6.0	27.0		26.6	26.5	20.0	18.5	16.3	6.0
6.5	23.5		23.1	23.1	20.0	18.5	16.3	6.5
7.0	20.7		20.4	20.3	20.0	18.5	16.3	7.0
7.5	18.5		18.1	18.1	18.0	18.5	16.3	7.5
8.0	16.6		16.3	16.2	16.2	16.7	16.3	8.0
8.5	15.0		14.7	14.6	14.6	15.1	15.1	8.5
9.0	13.7		13.3	13.3	13.2	13.7	13.8	9.0
9.5	9.3m/12.3		12.2	12.1	12.1	12.5	12.6	9.5
10.0			11.1	11.1	11.0	11.5	11.6	10.0
11.0			9.4	9.4	9.3	9.8	9.9	11.0
12.0			8.1	8.0	8.0	8.4	8.5	12.0
13.0			7.0	6.9	6.9	7.3	7.4	13.0
14.0			6.0	6.0	5.9	6.4	6.5	14.0
15.0			5.3	5.2	5.2	5.6	5.7	15.0
16.0			4.6	4.5	4.5	4.9	5.0	16.0
17.0			4.0	3.9	3.8	4.3	4.4	17.0
18.0		17.1m/3.9	3.3	3.3	3.3	3.8	3.9	18.0
19.0			2.9	2.8	2.8	3.3	3.4	19.0
20.0			2.5	2.4	2.4	2.8	3.0	20.0
21.0			2.1	2.0	2.0	2.4	2.6	21.0
22.0				1.6	1.6	2.1	2.3	22.0
23.0				1.3	1.3	1.8	2.0	23.0
24.0				1.1	1.1	1.5	1.7	24.0
25.0				24.9m/0.8	24.9m/0.8	1.2	1.4	25.0
26.0						1.0	1.2	26.0
27.0						0.8	1.0	27.0
28.0							0.8	28.0
Max. boom angle		71°	78°	80°	81°	83°	82°	Max. boom angle
Min. boom angle		0°	0°	0°	0°	28°	32°	Min. boom angle

Note:

Ratings shown in are determined by the strength of the boom or other structural components.

Lifting capacities may vary depending on hook used.

Please refer rated chart in operator's cabin.



Crane Rated Load Chart

Without Counterweight (Option)
Special type boom rated load

(Unit: metric ton)

Working radius (m)	Boom length (m)			Boom length (m)	Working radius (m)
		11.6	19.4		
2.6		30.0			2.6
3.0		30.0	20.0		3.0
3.5		30.0	20.0		3.5
3.7		30.0	20.0		3.7
4.0		30.0	20.0		4.0
4.5		30.0	20.0		4.5
5.0		24.7	20.0		5.0
5.5		20.6	20.0		5.5
6.0		17.5	17.1		6.0
6.5		15.1	14.8		6.5
7.0		13.2	12.9		7.0
7.5		11.7	11.3		7.5
8.0		10.4	10.1		8.0
8.5		9.3	9.0		8.5
9.0		8.4	8.1		9.0
9.5		9.3m/7.8	7.3		9.5
10.0			6.6		10.0
11.0			5.4		11.0
12.0			4.5		12.0
13.0			3.7		13.0
14.0			3.0		14.0
15.0			2.4		15.0
16.0			2.0		16.0
17.0			1.6		17.0
18.0			17.1m/1.5		18.0
Max. boom angle		71°	78°		Max. boom angle
Min. boom angle		0°	0°		Min. boom angle

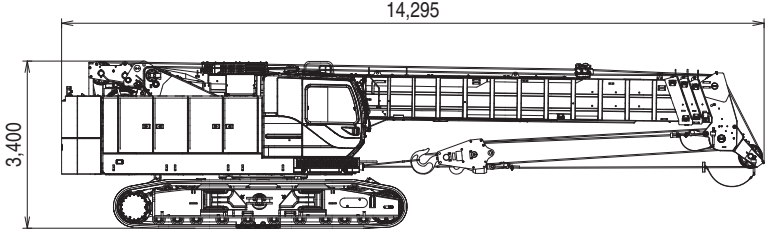
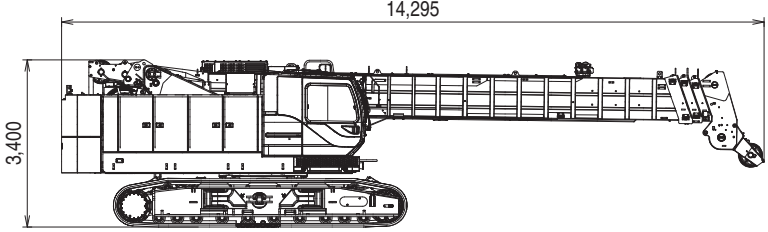
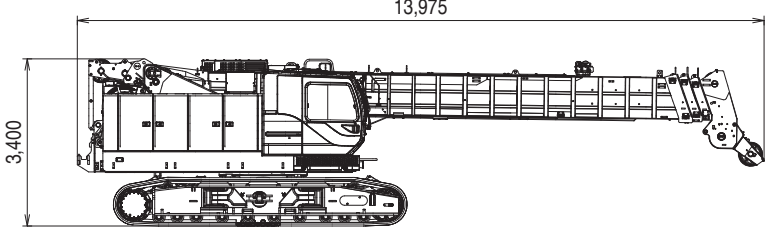
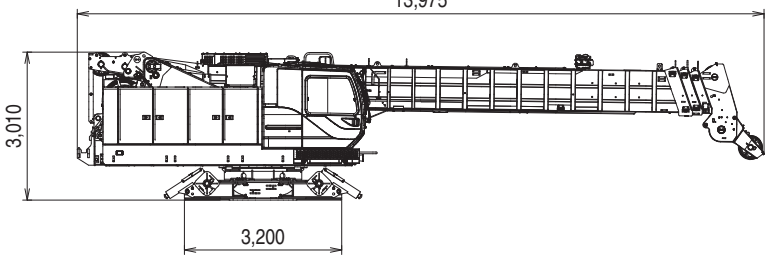
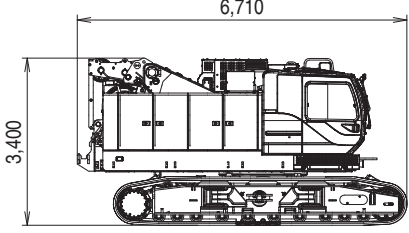
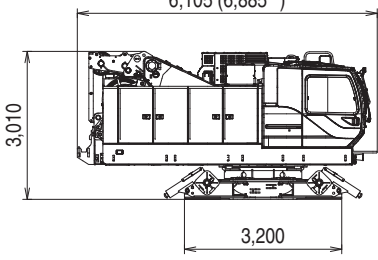
Note:

Ratings shown in are determined by the strength of the boom or other structural components.

Lifting capacities may vary depending on hook used.

Please refer rated chart in operator's cabin.

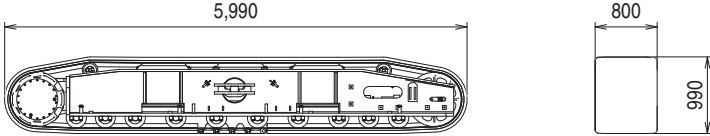
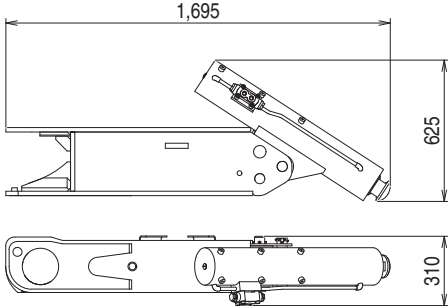
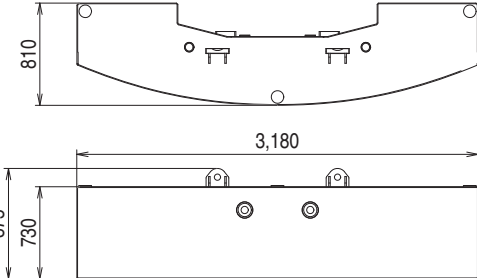
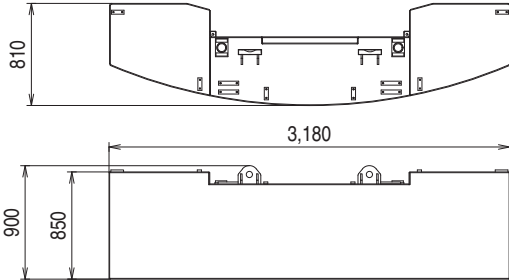
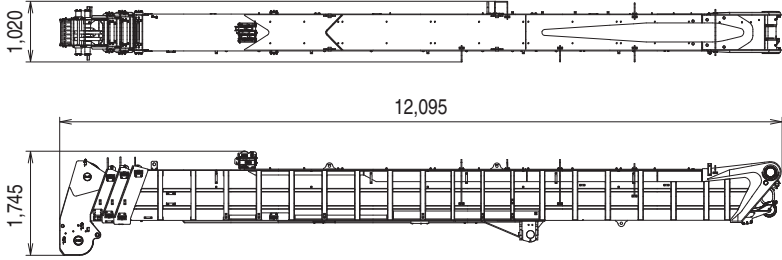
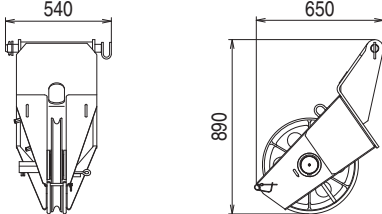
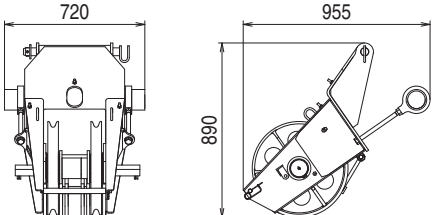
TRANSPORTATION PLAN

Name	Dimension (mm)	Weight (kg)
Base Machine with hook		71,600 (76,000*1)
Base Machine without hook		70,700 (75,000*1)
Base Machine without hook and counterweight		53,400 (57,700*1)
Base Machine without hook, counterweight and crawler		38,200 (42,500*1)
Base Machine without hook, counterweight and boom		42,100 (45,800*1)
Base Machine without hook, counterweight, crawler, boom, side catwalk and crawler connect link		26,800 (30,300*1)

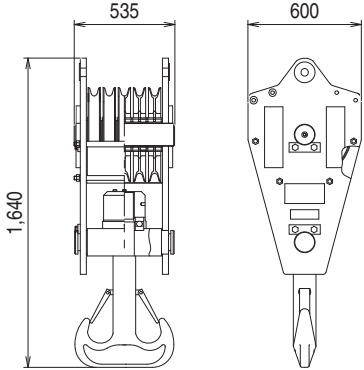
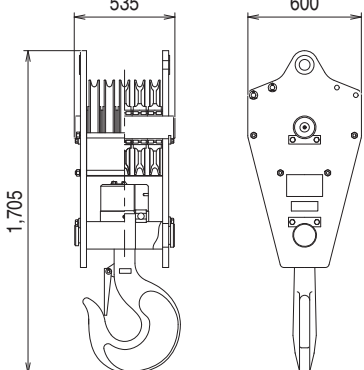
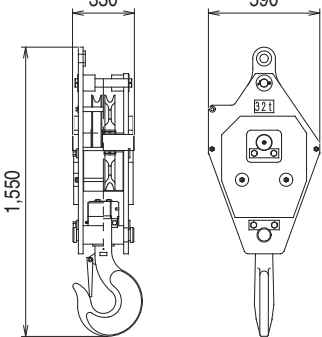
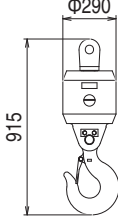
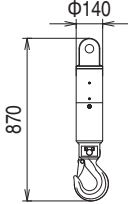
*1 With third winch and other optional parts / attachments

*2 With third winch

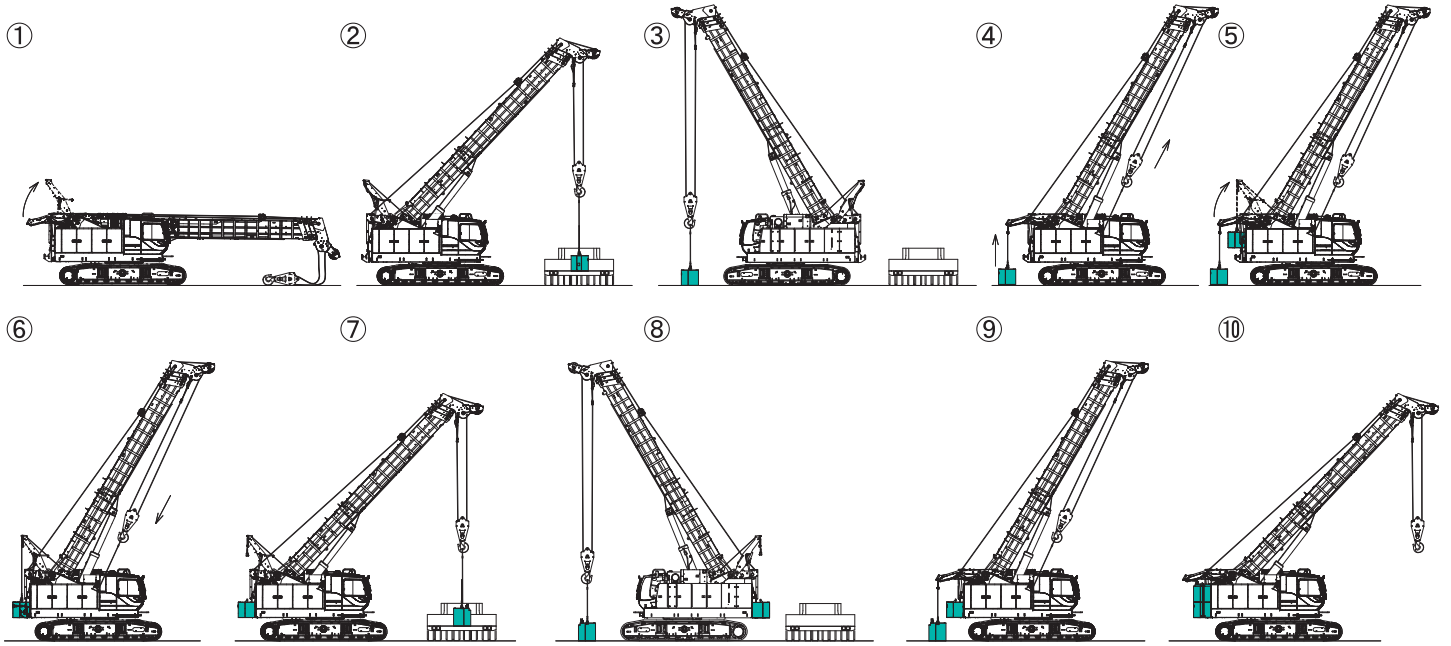
PARTS AND ATTACHMENTS

Name	Dimension (mm)	Weight (kg)
Crawler		7,500
Translifter (4 pieces)		345 / 1 piece
Counterweight (1) Without securing bolt		8,200
Counterweight (2) Without securing bolt Without storage bracket		9,000
Boom Assy		11,160
Auxiliary Sheave (Single Sheave)		105
Auxiliary Sheave (Double Sheave) (Option)		225

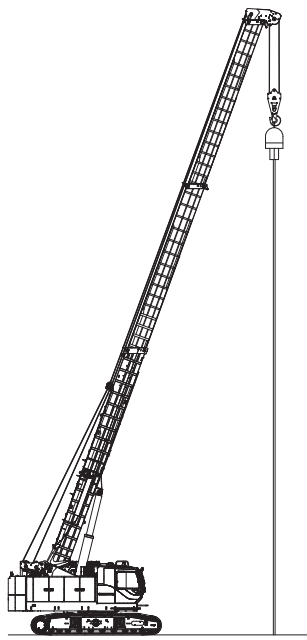
PARTS AND ATTACHMENTS

Name	Dimension (mm)	Weight (kg)
75 t Hook (Double Hook)		800
75 t Hook (Single Hook)		800
32 t Hook (Single Hook)		500
7 t Ball Hook		160
7 t lightweight swivel hook		60

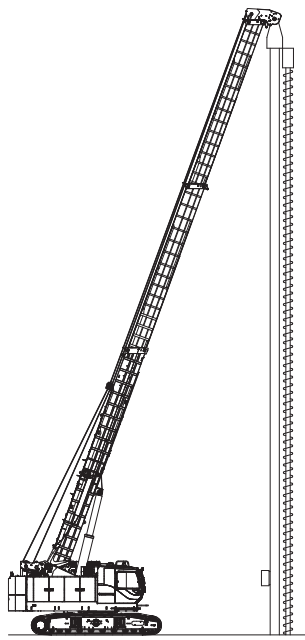
Counterweight Self-Removal Device (Option)



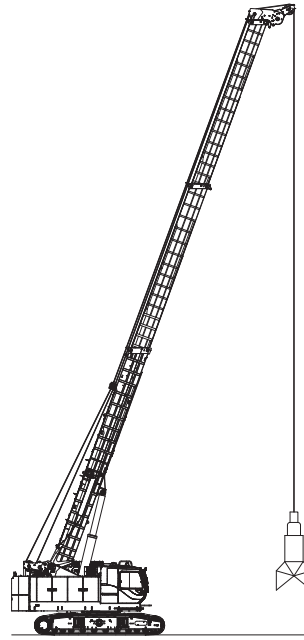
Recommended Attachments



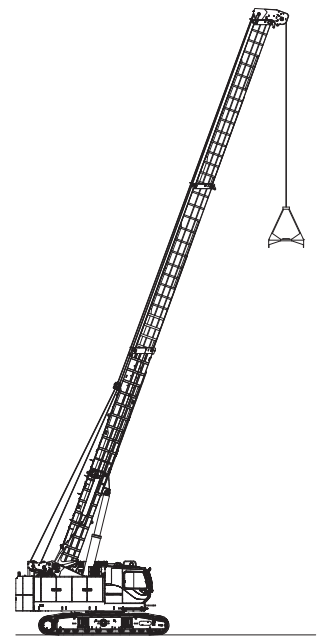
Vibro-hammer



Auger attachments
 Electric type under 44.5kN/m
 Hydraulic type under 83.1kN/m



Hammer-grab
 1,500dia. ○



Clamshell
 Total weight under 5.5 metric tons

Note: This catalog may contain photographs of machines with specifications, attachments and optional equipment not certified for operation in your country. Please consult KOBELCO for those items you may require. Due to our policy of continual product improvements all designs and specifications are subject to change without advance notice.

Copyright by KOBELCO CONSTRUCTION MACHINERY CO., LTD. No part of this catalog may be reproduced in any manner without notice.

KOBELCO CONSTRUCTION MACHINERY CO., LTD.

Inquiries To:

5-15, Kitashinagawa 5-chome, Shinagawa-ku, Tokyo 141-8626 JAPAN

Tel: +81-3-5789-2121 Fax: +81-3-5789-3372

URL: <https://www.kobelcocm-global.com>